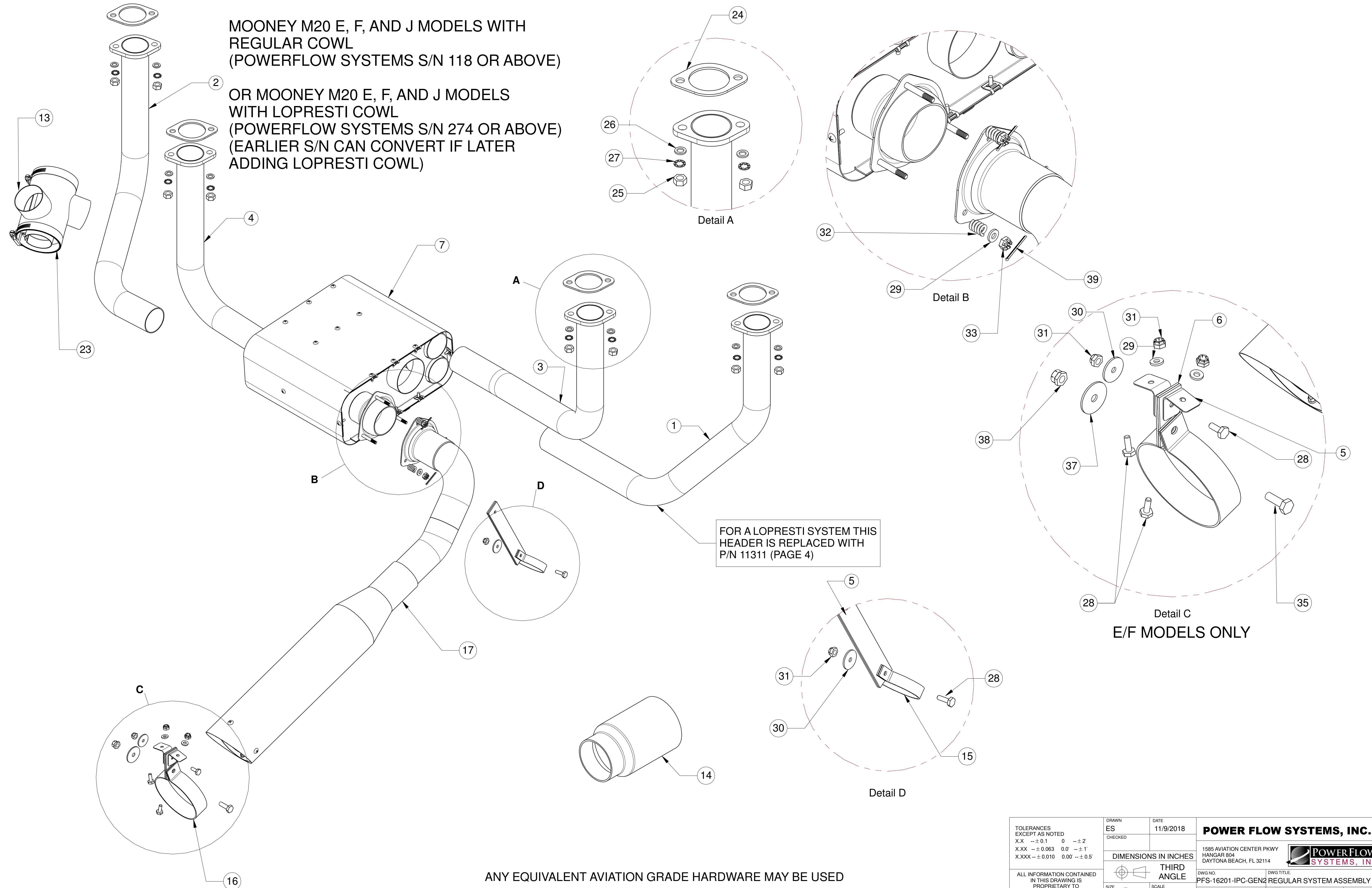


REV		DESCRIPTION	DATE

THIS SYSTEM IS ONLY APPLICABLE TO:
 MOONEY M20 E, F, AND J MODELS WITH
 REGULAR COWL
 (POWERFLOW SYSTEMS S/N 118 OR ABOVE)
 OR MOONEY M20 E, F, AND J MODELS
 WITH LOPRESTI COWL
 (POWERFLOW SYSTEMS S/N 274 OR ABOVE)
 (EARLIER S/N CAN CONVERT IF LATER
 ADDING LOPRESTI COWL)

THIS IS ONLY APPLICABLE TO PFS-16201-GEN2



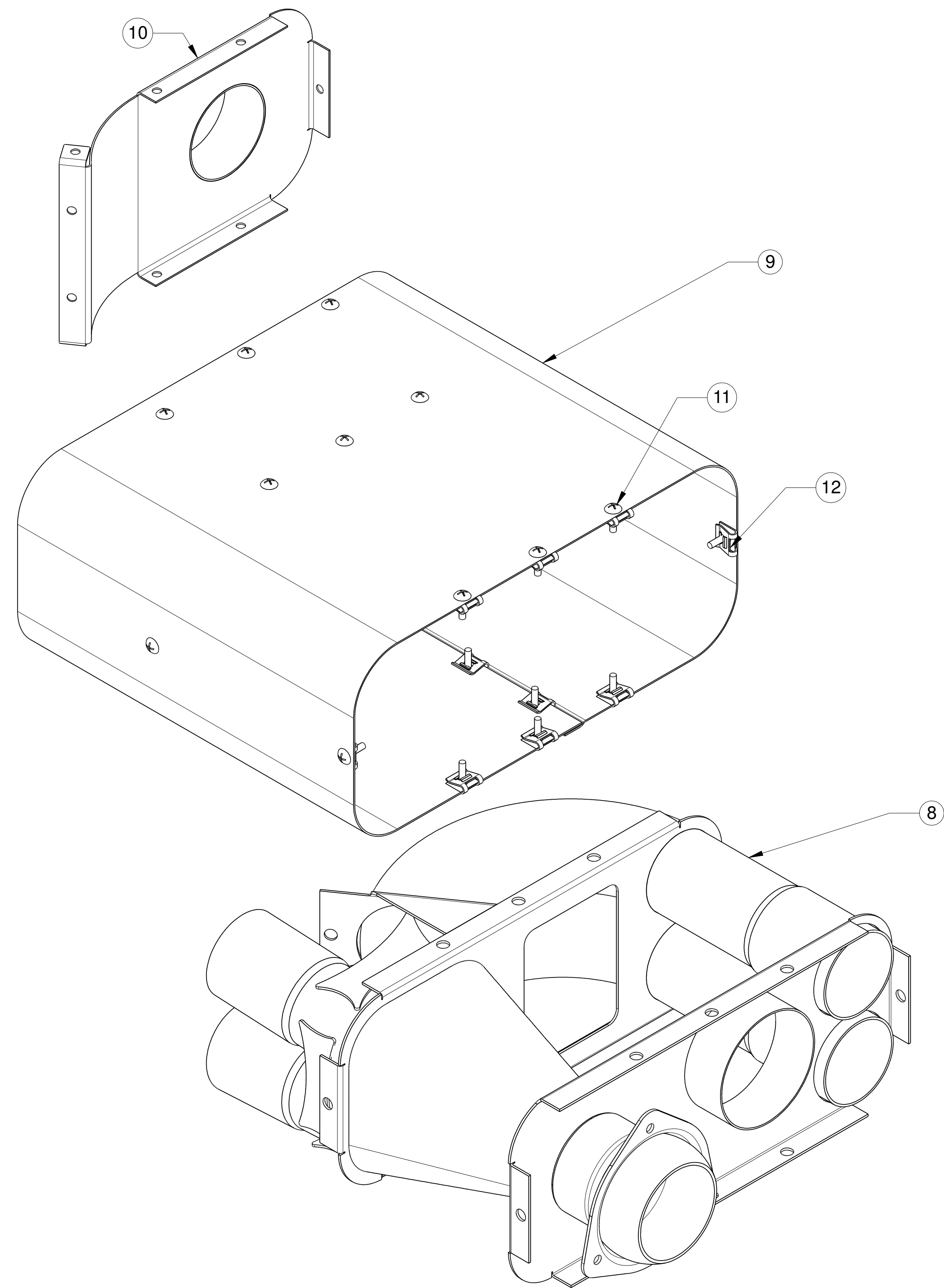
FOR A LOPRESTI SYSTEM THIS
 HEADER IS REPLACED WITH
 P/N 11311 (PAGE 4)

Detail C
 E/F MODELS ONLY


ANY EQUIVALENT AVIATION GRADE HARDWARE MAY BE USED

TOLERANCES EXCEPT AS NOTED XX ±0.1 0 ±0.2 XXX ±0.063 0.0 ±0.1 XXXX ±0.010 0.00 ±0.5	DRAWN ES	DATE 11/9/2018	POWER FLOW SYSTEMS, INC. 1585 AVIATION CENTER PKWY HANGAR 804 DAYTONA BEACH, FL 32114
	CHECKED		
ALL INFORMATION CONTAINED IN THIS DRAWING IS PROPRIETARY TO POWER FLOW SYSTEMS, INC.	DIMENSIONS IN INCHES		DWG NO. PFS-16201-IPC-GEN2
	THIRD ANGLE		
SIZE D	SCALE		DWG TITLE REGULAR SYSTEM ASSEMBLY
			REV IR
			MATERIAL
			SHEET 1 OF 4

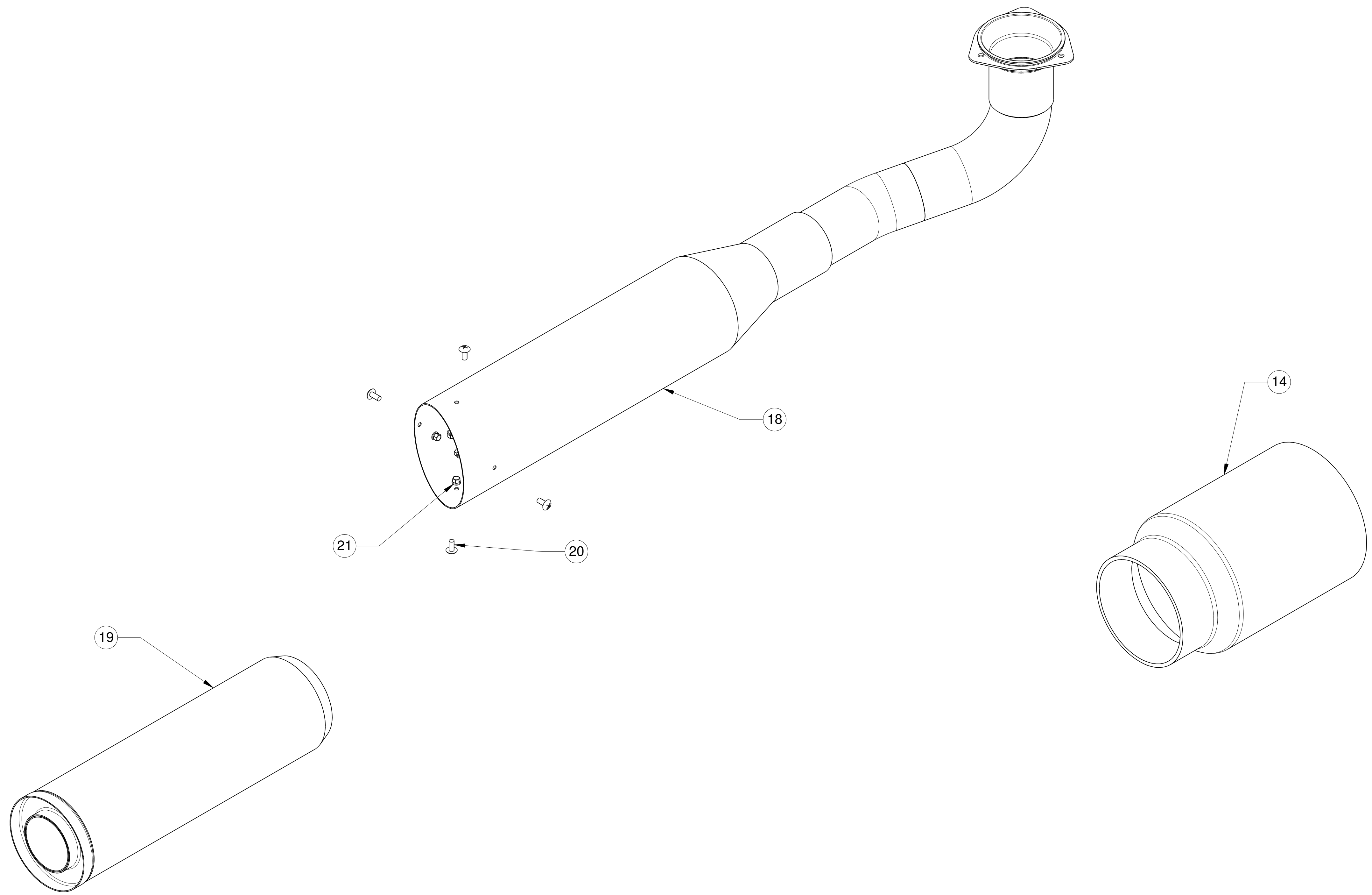
REVISIONS		
REV	DESCRIPTION	DATE



ANY EQUIVALENT AVIATION GRADE HARDWARE MAY BE USED


TOLERANCES EXCEPT AS NOTED XX ±0.1 0 ±0.2 XXX ±0.063 0.0 ±0.1 XXXX ±0.010 0.00 ±0.5	DRAWN ES	DATE 11/9/2018	POWER FLOW SYSTEMS, INC. 1585 AVIATION CENTER PKWY HANGAR 804 DAYTONA BEACH, FL 32114 
	CHECKED		
ALL INFORMATION CONTAINED IN THIS DRAWING IS PROPRIETARY TO POWER FLOW SYSTEMS, INC.	DIMENSIONS IN INCHES THIRD ANGLE		DWG NO. PFS-16201-IPC-GEN2
	SIZE D	SCALE	DWG TITLE COLLECTOR ASSEMBLY
			REV IR
			SHEET 2 OF 4

REVISIONS		
REV	DESCRIPTION	DATE



THE TAILPIPE IS AVAILABLE IN BOTH A POLISHED AND CERAMIC FINISH

ANY EQUIVALENT AVIATION GRADE HARDWARE MAY BE USED

TOLERANCES EXCEPT AS NOTED XX ±0.1 0 ±2 XXX ±0.063 0.0 ±1 XXXX ±0.010 0.00 ±0.5	DRAWN ES	DATE 11/9/2018	POWER FLOW SYSTEMS, INC. 1585 AVIATION CENTER PKWY HANGAR 804 DAYTONA BEACH, FL 32114 
	CHECKED		
ALL INFORMATION CONTAINED IN THIS DRAWING IS PROPRIETARY TO POWER FLOW SYSTEMS, INC.	DIMENSIONS IN INCHES THIRD ANGLE		DWG TITLE PFS-16201-IPC-GEN2 TAILPIPE ASSEMBLY
	SIZE D	SCALE	STOCK SIZE

REVISIONS		
REV	DESCRIPTION	DATE

D

D

C

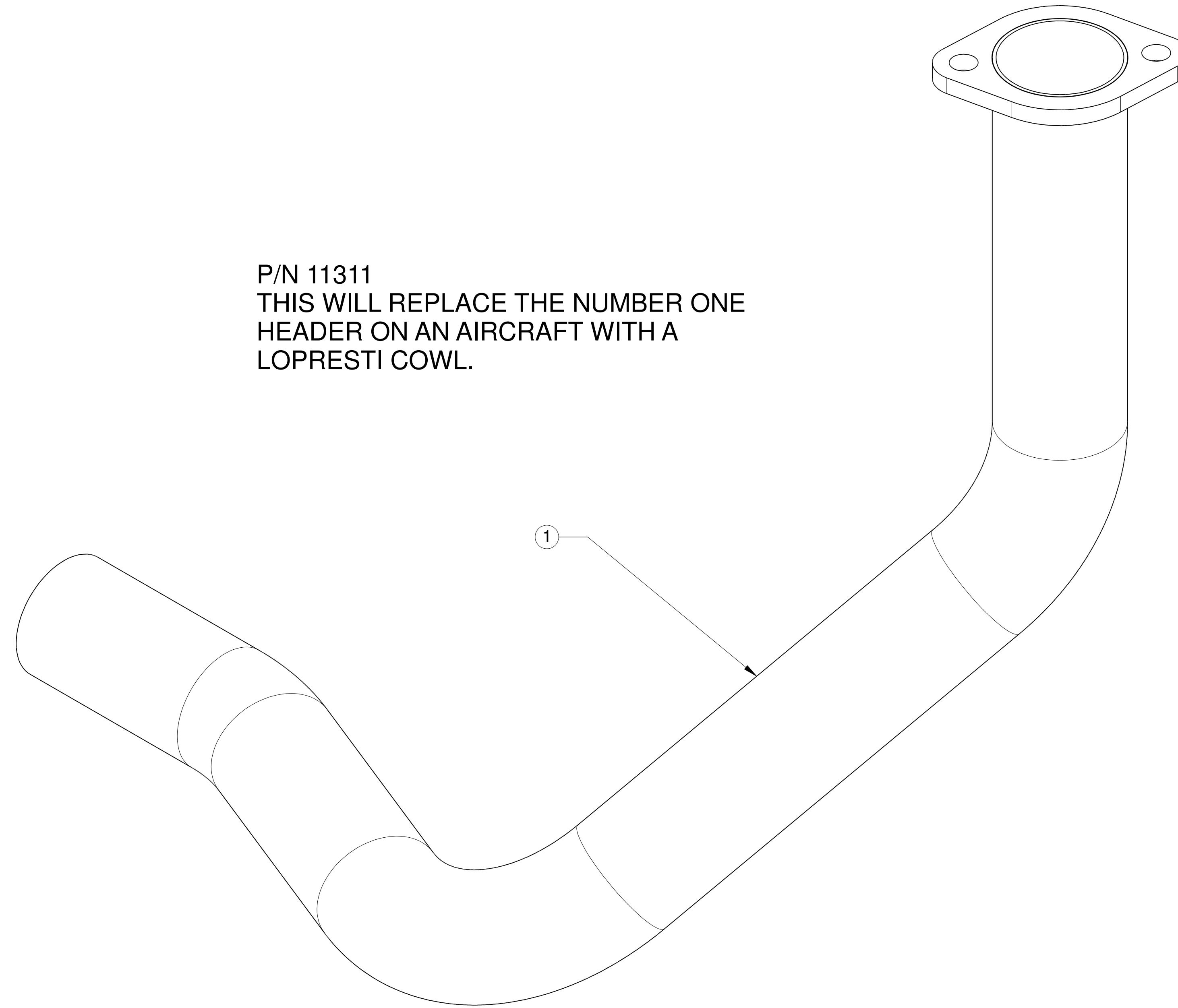
C

B

B


A

A



P/N 11311
THIS WILL REPLACE THE NUMBER ONE
HEADER ON AN AIRCRAFT WITH A
LOPRESTI COWL.

ANY EQUIVALENT AVIATION GRADE HARDWARE MAY BE USED

TOLERANCES EXCEPT AS NOTED XX ±0.1 0 ±2 XXX ±0.063 0.0 ±1 XXXX ±0.010 0.00 ±0.5	DRAWN ES	DATE 11/9/2018	POWER FLOW SYSTEMS, INC. 1585 AVIATION CENTER PKWY HANGAR 804 DAYTONA BEACH, FL 32114 
	CHECKED	DIMENSIONS IN INCHES THIRD ANGLE	
ALL INFORMATION CONTAINED IN THIS DRAWING IS PROPRIETARY TO POWER FLOW SYSTEMS, INC.	SIZE D	SCALE	STOCK SIZE MATERIAL SHEET 4 OF 4

8

7

6

5

4

3

2

1

8

7

6

5

4

3

2

1

PFS-16201-GEN2 IPC BOM

NOTE: COMMONLY ORDERED PARTS ARE BOLDED

Item	Part number	Description	Qty Per Assy	HW Pack #	Comment
1	11310	HEADER, NUMBER 1	1		
1	11311	HEADER, NUMBER 1 GEN2 M20 Lo Presti	1		ONLY FOR LoPresti COWLINGS
2	12310	HEADER, NUMBER 2	1		
3	13310	HEADER, NUMBER 3	1		
4	14310	HEADER, NUMBER 4	1		
5	203	ATTACH BRACKETS	2		E,F MODELS ONLY
6	210	NEOPRENE STRAP, 6x1	4		
7	40300	SHROUDED COLLECTOR	1		
8		33004	1		INC. IN PFS-40300 OR PFS-33004
9		50300	1		INC. IN PFS-40300 OR PFS-50300
10		6804	1		INC. IN PFS-40300 OR PFS-50300
11		8RX1/2THBS/S	28		INC. IN PFS-40300, PFS-50300, OR PFS-33004
12		D1274-8-1	28		INC. IN PFS-40300, PFS-50300, OR PFS-33004
13	51310	PRE-HEAT SHROUD ASSY, M20	1		OPTIONAL
14	6510	REDUCER, ALUMINUM	1		E, F MODELS IF HEAT IS 2.0 INCH CABIN
15	7024	CLAMP, 2.0IN	1		
16	8030	CLAMP, MUFFLER, POLISHED	1		
17	80630-CER	TAILPIPE ASSY, CERAMIC	1		
17	80630	TAILPIPE ASSY, POLISHED	1		
18		8063	1		INC. IN 80630
19		8016	1		INC. IN 80630 OR ORDER PFS-8016
20		AN526C832R6	4		INC. IN 80630 OR ORDER PFS-8016
21		MS21042L08	4		INC. IN 80630 OR ORDER PFS-8016
22	QS200M32H	HOSE CLAMP, 1 9/16 - 2 1/2	2		
23	QS200M40H	HOSE CLAMP, 2 1/16 - 3	2		
	10310	HW PACK, HEADER GASKETS			
24		77611	4	10310	
25		94819A046	8	10310	
26		AN960-516	8	10310	
27		MS35333-41	8	10310	
	10364	HW PACK, M20 HANGERS			
28		AN3C4A	4	10634	
29		AN960C10	5	10634	
30		AN970-3	2	10634	

PFS-16201-GEN2 IPC BOM

31		MS21045C3	NUT, LOCKING, 3/16, CRES	3	10634	
	10367		HW PACK, M20, GEN2			
32		33703	BALL JOINT SPRING	3	10367	
33		AN310C3	NUT, CASTLE, 3/16, CRES	3	10367	
34		AN3C12	BOLT, 10-32, CRES	3	10367	
35		AN4C5A	BOLT, 1/4IN, UNDRILLED, CRES	1	10367	
36		AN4C6A	BOLT, 1/4IN, UNDRILLED, CRES	1	10367	
	29	AN960C10	WASHER, PLAIN, 3/16, CRES	6	10367	
	30	AN970-3	WASHER, LARGE AREA, 3/16	1	10367	
37		AN970-4	WASHER, LARGE AREA, 1/4IN	1	10367	
	31	MS21045C3	NUT, LOCKING, 3/16, CRES	1	10367	
38		MS21045C4	NUT, LOCKING, 1/4, CRES	1	10367	
39		MS24665-153	COTTER PIN	4	10367	
40	SCAT-8		SCAT HOSE, 2.0	16 IN		
41	SCAT-10		SCAT HOSE, 2.5	36 IN		