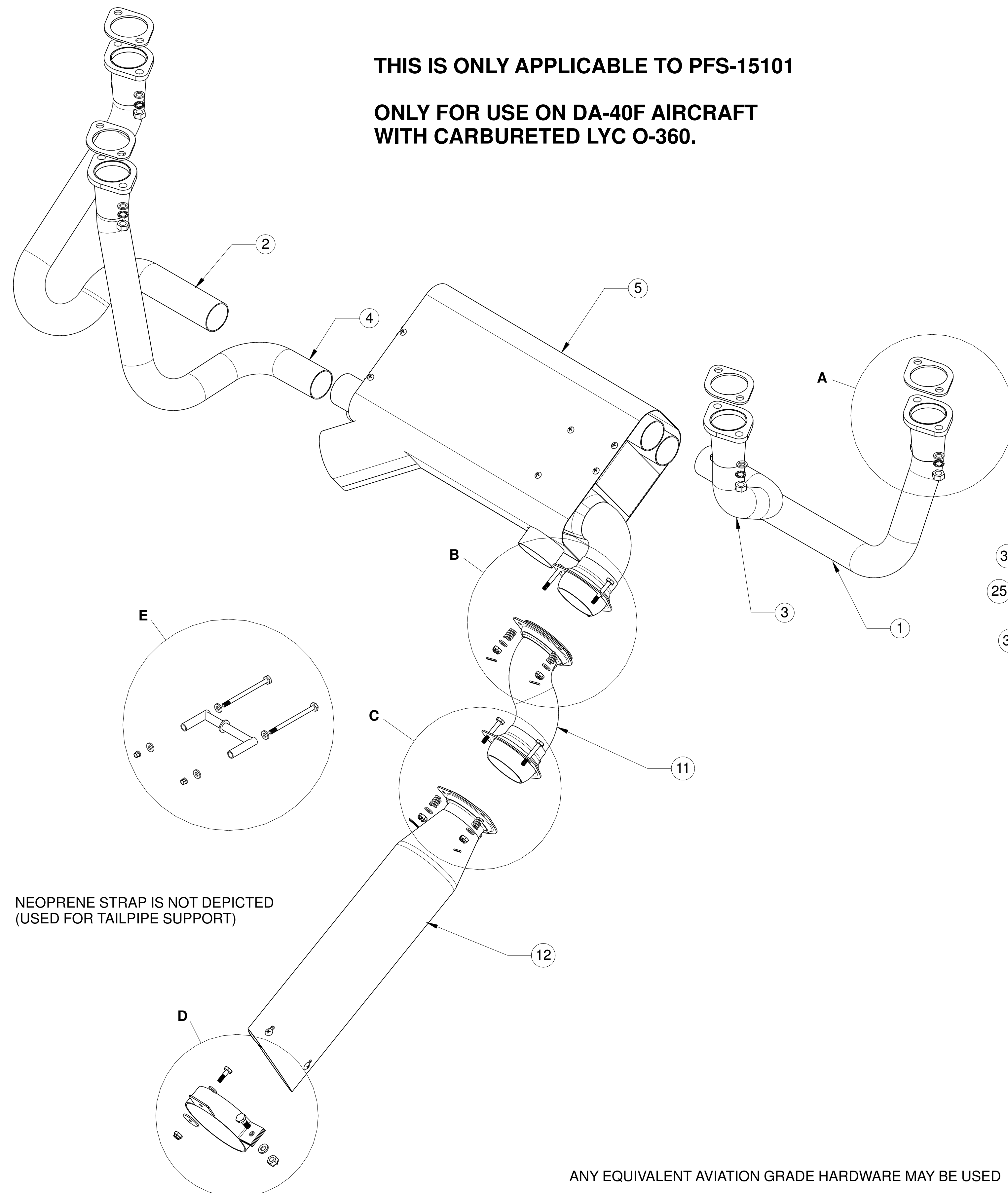


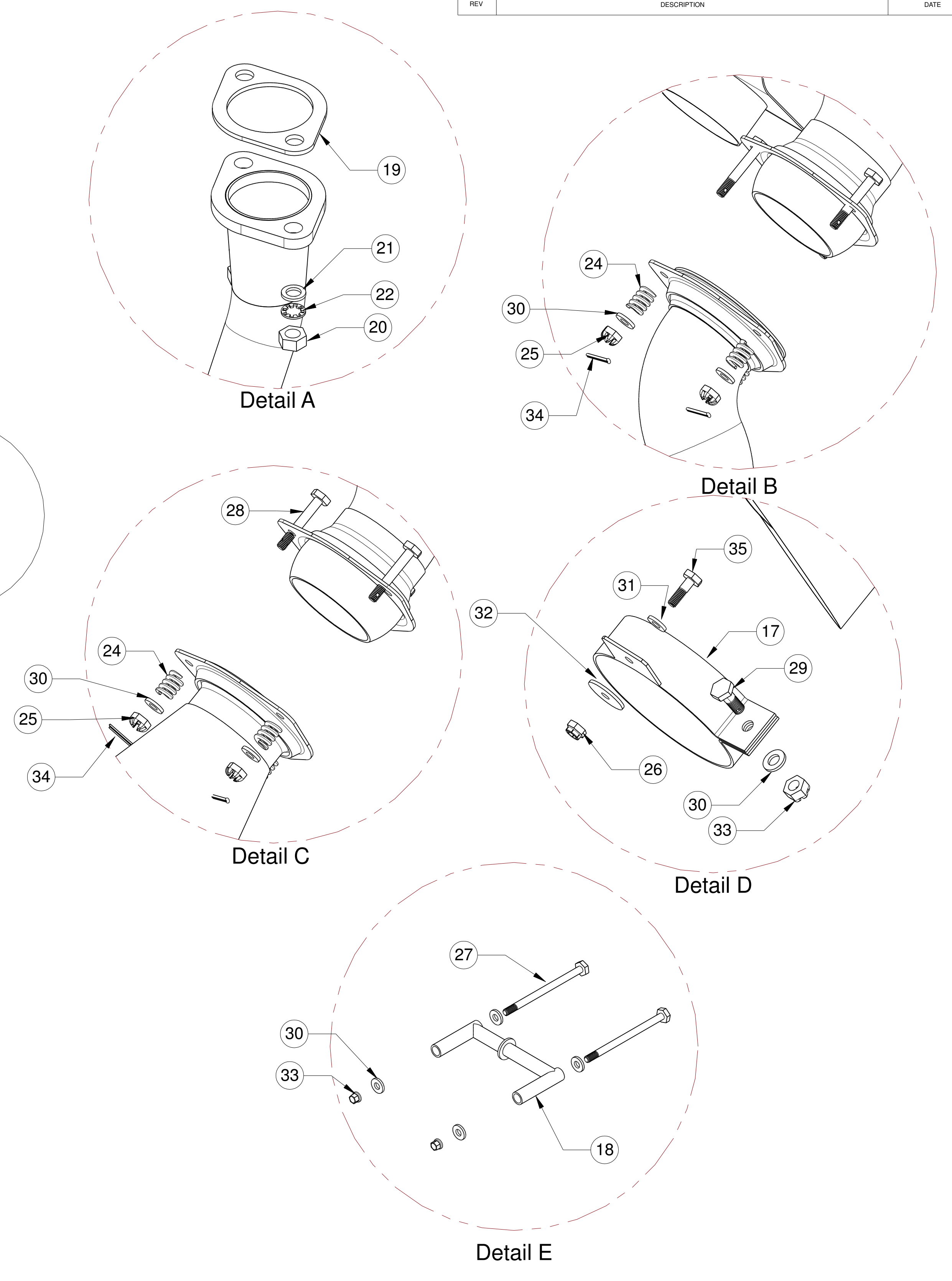
REV		DESCRIPTION	DATE

THIS IS ONLY APPLICABLE TO PFS-15101
ONLY FOR USE ON DA-40F AIRCRAFT
WITH CARBURETED LYC O-360.



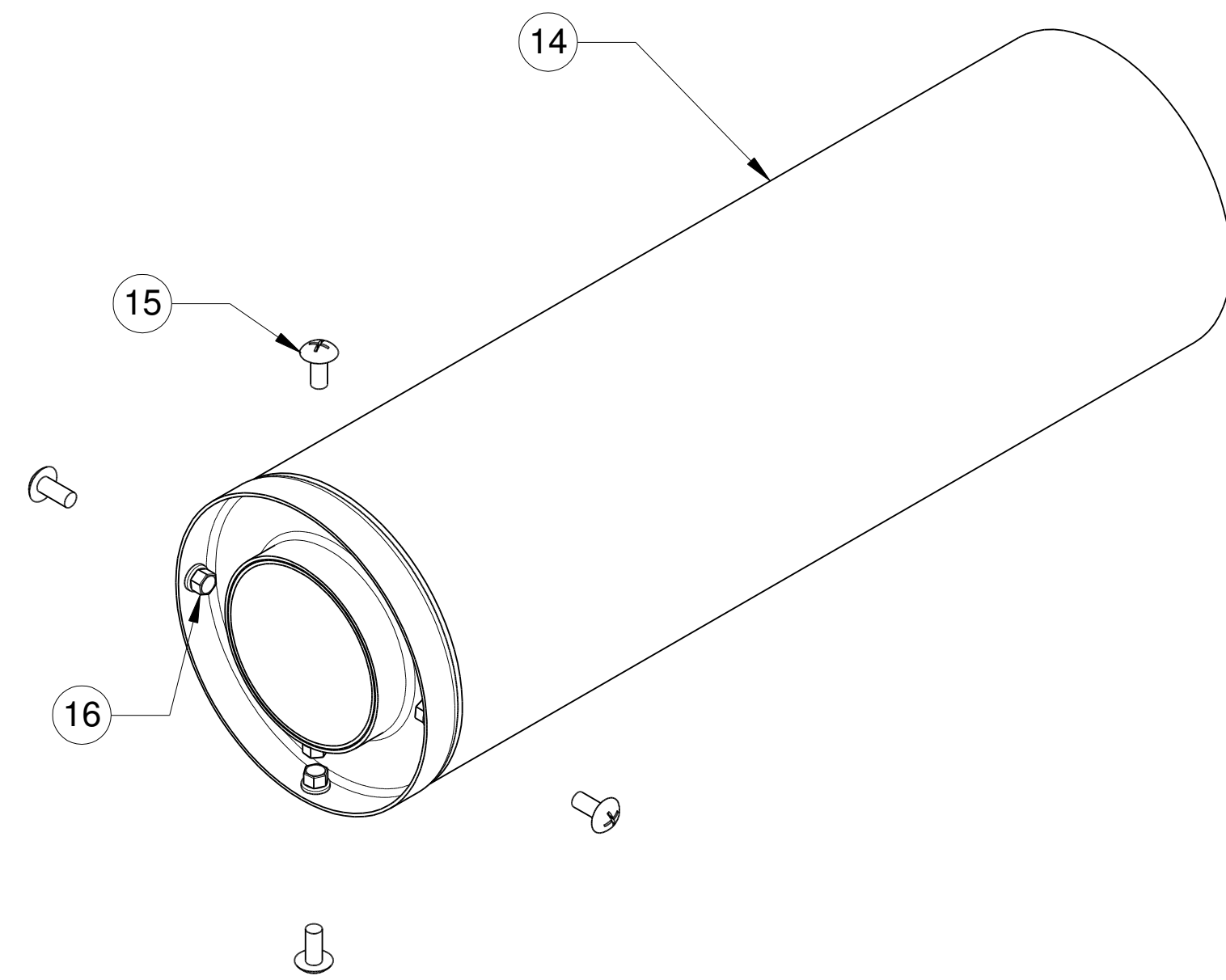
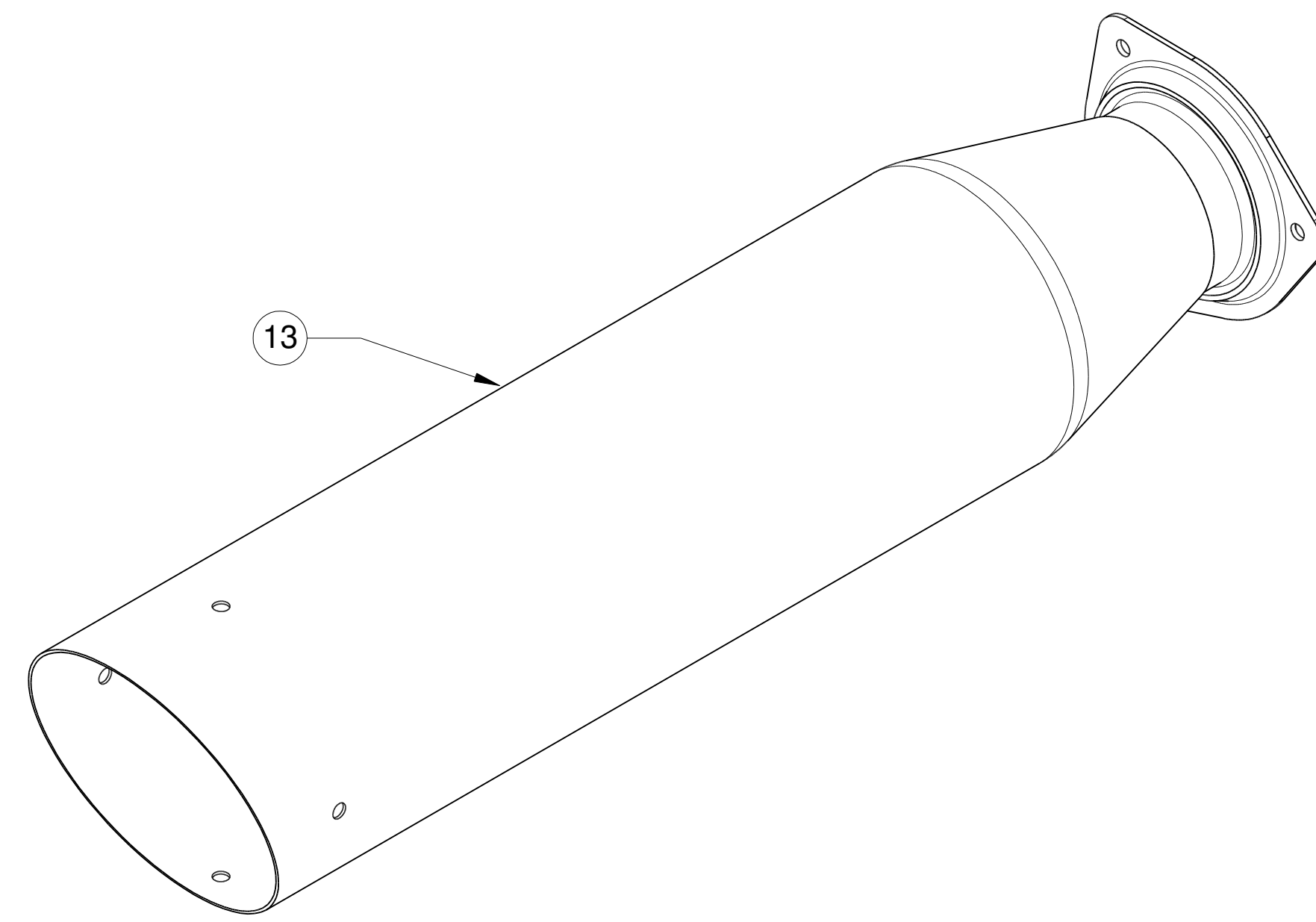
NEOPRENE STRAP IS NOT DEPICTED
 (USED FOR TAILPIPE SUPPORT)

ANY EQUIVALENT AVIATION GRADE HARDWARE MAY BE USED




TOLERANCES EXCEPT AS NOTED XX ±0.1 0 ±0.2 XXX ±0.063 0.0 ±0.1 XXXX ±0.010 0.00 ±0.5	DRAWN ES	DATE 11/26/2018	POWER FLOW SYSTEMS, INC. 1585 AVIATION CENTER PKWY HANGAR 804 DAYTONA BEACH, FL 32114	
	CHECKED			
ALL INFORMATION CONTAINED IN THIS DRAWING IS PROPRIETARY TO POWER FLOW SYSTEMS, INC.	DIMENSIONS IN INCHES THIRD ANGLE		DWG NO. PFS-15101-IPC	DWG TITLE SYSTEM ASSEMBLY
	SIZE D	SCALE	STOCK SIZE	MATERIAL

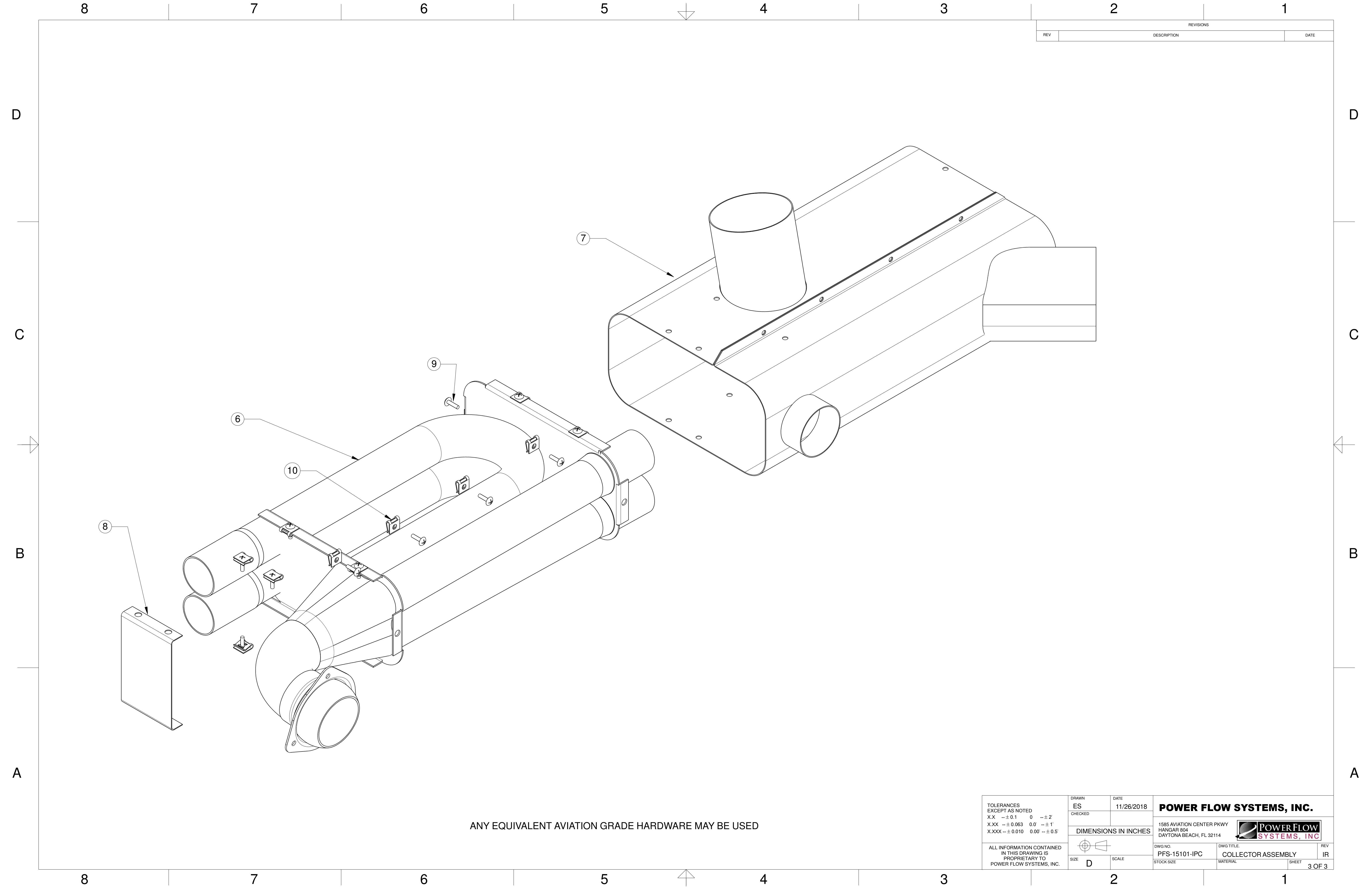
REVISIONS		
REV	DESCRIPTION	DATE




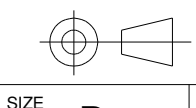
ANY EQUIVALENT AVIATION GRADE HARDWARE MAY BE USED

TOLERANCES EXCEPT AS NOTED XX ±0.1 0 ±2 XXX ±0.063 0.0 ±1 XXXX ±0.010 0.00 ±0.5	DRAWN ES	DATE 11/26/2018	POWER FLOW SYSTEMS, INC. 1585 AVIATION CENTER PKWY HANGAR 804 DAYTONA BEACH, FL 32114 
	CHECKED	DIMENSIONS IN INCHES THIRD ANGLE	
ALL INFORMATION CONTAINED IN THIS DRAWING IS PROPRIETARY TO POWER FLOW SYSTEMS, INC.	SIZE D	SCALE	DWG TITLE TAILPIPE ASSEMBLY
STOCK SIZE	MATERIAL	SHEET 2 OF 3	REV IR

REVISIONS		
REV	DESCRIPTION	DATE



ANY EQUIVALENT AVIATION GRADE HARDWARE MAY BE USED

TOLERANCES EXCEPT AS NOTED XX ±0.1 0 ±2 XXX ±0.063 0.0 ±1 XXXX ±0.010 0.00 ±0.5	DRAWN ES	DATE 11/26/2018	POWER FLOW SYSTEMS, INC. 1585 AVIATION CENTER PKWY HANGAR 804 DAYTONA BEACH, FL 32114 
	CHECKED		
ALL INFORMATION CONTAINED IN THIS DRAWING IS PROPRIETARY TO POWER FLOW SYSTEMS, INC.	DIMENSIONS IN INCHES 		DWG NO. PFS-15101-IPC
	SIZE D	SCALE	DWG TITLE COLLECTOR ASSEMBLY
			STOCK SIZE MATERIAL SHEET 3 OF 3

PFS-15101 IPC BOM

NOTE: COMMONLY ORDERED PARTS ARE BOLDED

Item	Part Number	Description	Qty Per Assy	HW Pack #	Comment
1	11500	HEADER #1	1		
2	12500	HEADER #2	1		
3	13500	HEADER #3	1		
4	14500	HEADER #4	1		
5	41550	SHROUDED COLLECTOR, DA40F	1		
6	38003	COLLECTOR ASSY, DA40FP	1		INC. IN PFS-41550 OR PFS-38003
7	51550	SHROUD SUB-ASSY, DA40F	1		INC. IN PFS-41550 OR PFS-51550
8	6801	SHROUD ENDPLATE	1		INC. IN PFS-41550 OR PFS-51550
9	8Rx3/8THBS/S	SHROUD SCREW	18		INC. IN PFS-41550 PFS- 51550, OR PFS-38003
10	D1274-8-1	TINNERMAN CLIP	18		INC. IN PFS-41550 PFS- 51550, OR PFS-38003
11	78106	INTERMEDIATE TUBE	1		
12	80061-CER	MUFFLER, CERAMIC	1		OPTIONAL, CERAMIC FINISH
12	80061	MUFFLER, POLISHED	1		POLISHED FINISH
13	8061	TAILPIPE, POLISHED	1		INC. IN PFS-80061
14	8016	WRAPPED MUFFLER INSERT	1		INC. IN PFS-80061 OR PFS-8016
15	AN526C832R6	SCREW, #8 x 3/8, CRES	4		INC. IN PFS-80061 OR PFS-8016
16	MS21042L08	NUT, LOCKING, #8	4		INC. IN PFS-80061 OR PFS-8016
17	8031D	CLAMP, TAILPIPE, DIAMOND	1		
18	91500	BRACKET, DA40, POWDER COATED	1		
	10310	HW PACK, HEADER GASKETS	1		
19	77611	LYCOMING EXHAUST GASKET	4	10310	
20	94819A046	ASTM F594 S/S HEX NUT 5/16-18	8	10310	
21	AN960-516	WASHER, PLAIN, 5/16	8	10310	
22	MS35333-41	WASHER LOCKING, 5/16	8	10310	
	10366	HW PACK, DA40F	1		
23	05-00600	NEOPRENE COATED FIBERGLASS .063 MIN THICK	7 SQ IN	10366	
24	33703	BALL JOINT SPRING	6	10366	
25	AN310C3	NUT, CASTLE, 3/16, CRES	6	10366	
26	AN310C4	NUT, CASTLE, 1/4, CRES	1	10366	
27	AN3-27A	BOLT, 3/16, UNDRILLED	2	10366	
28	AN3C12	BOLT, 10-32, CRES	6	10366	
29	AN4C5	BOLT, 1/4x3/16, CRES	1	10366	
30	AN960C10	WASHER, PLAIN, 3/16, CRES	14	10366	
31	AN960C416	WASHER, PLAIN, 1/4, CRES	2	10366	
32	AN970-3	WASHER, LARGE AREA, 3/16	1	10366	
33	MS21045C3	NUT, LOCKING, 3/16, CRES	3	10366	
34	MS24665-153	COTTER PIN	7	10366	
35	AN3C5A	BOLT, 3/16, UNDRILLED, CRES	1	10366	