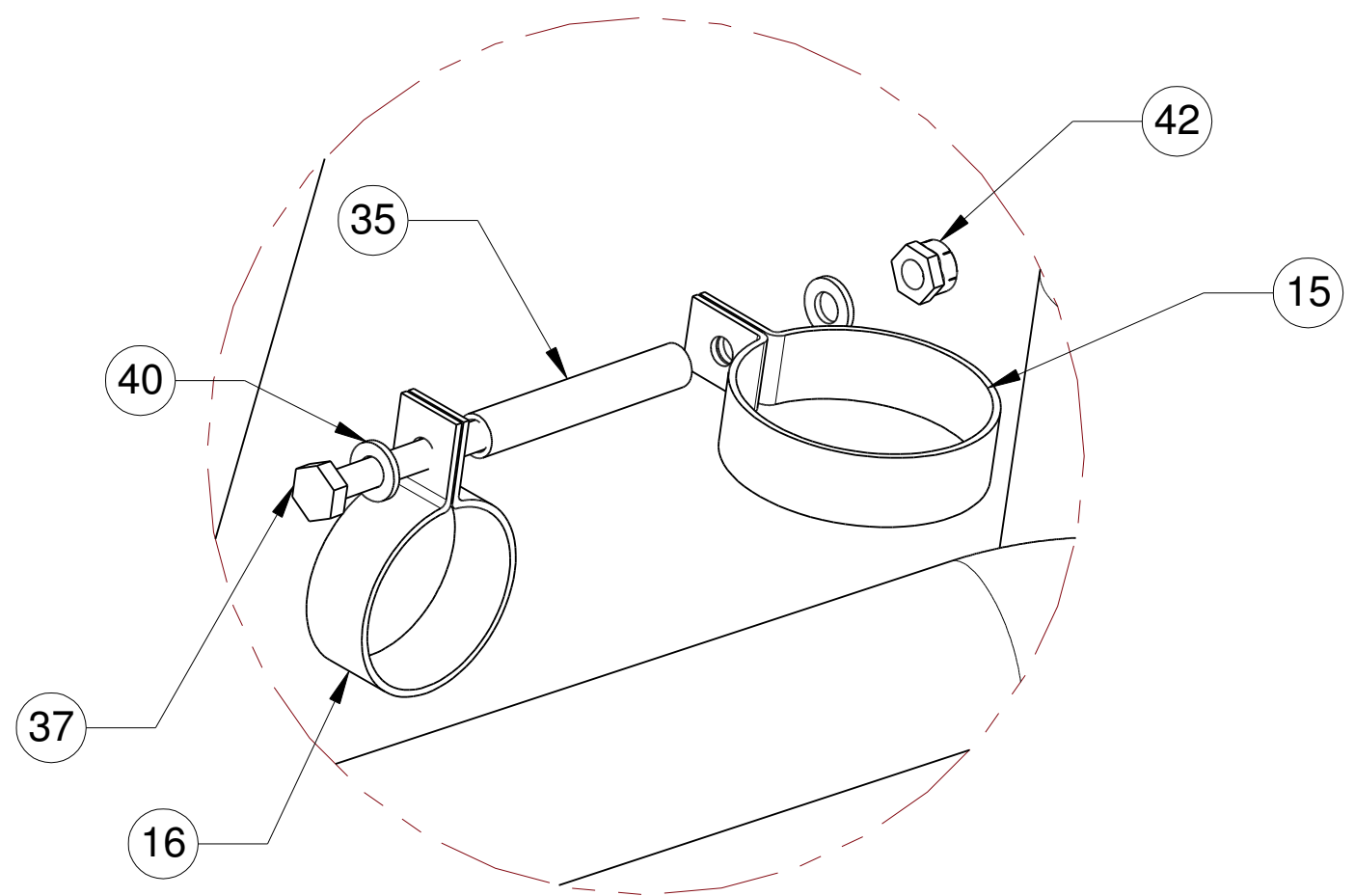
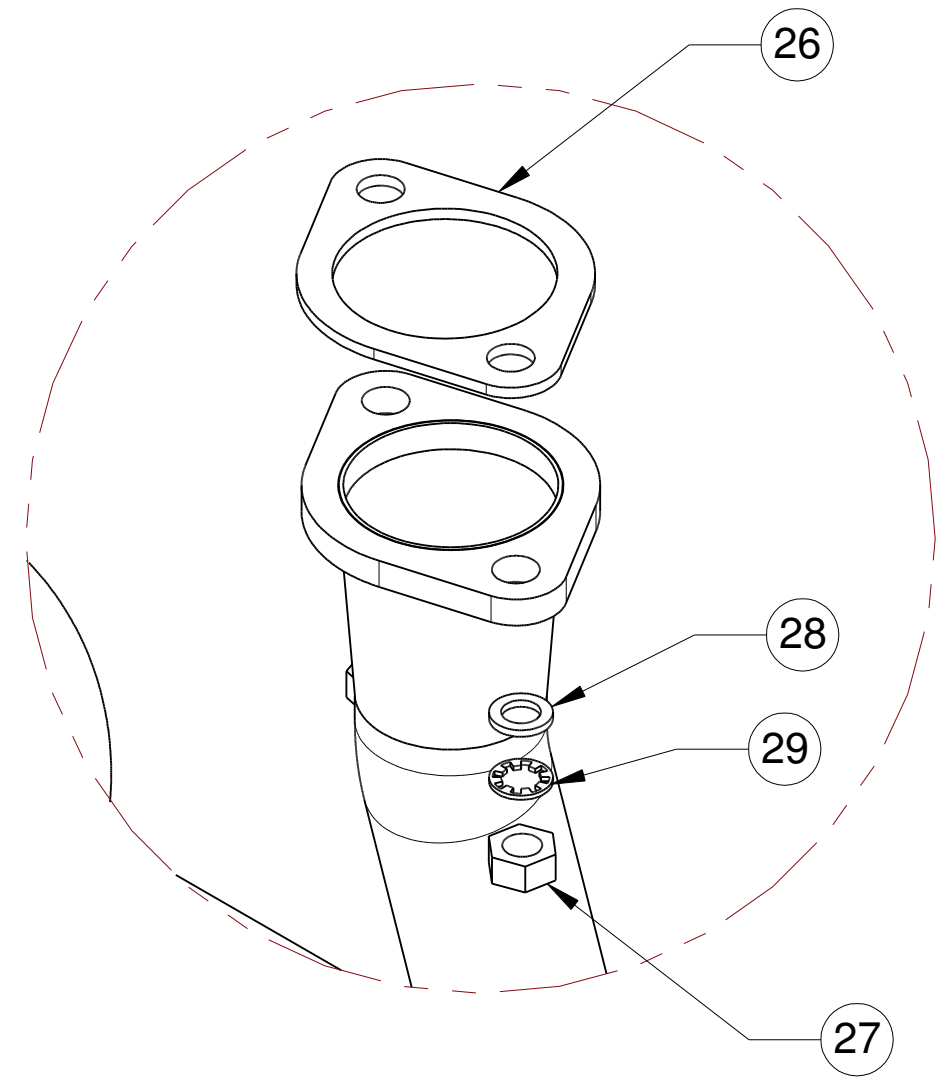


REV		DESCRIPTION	DATE

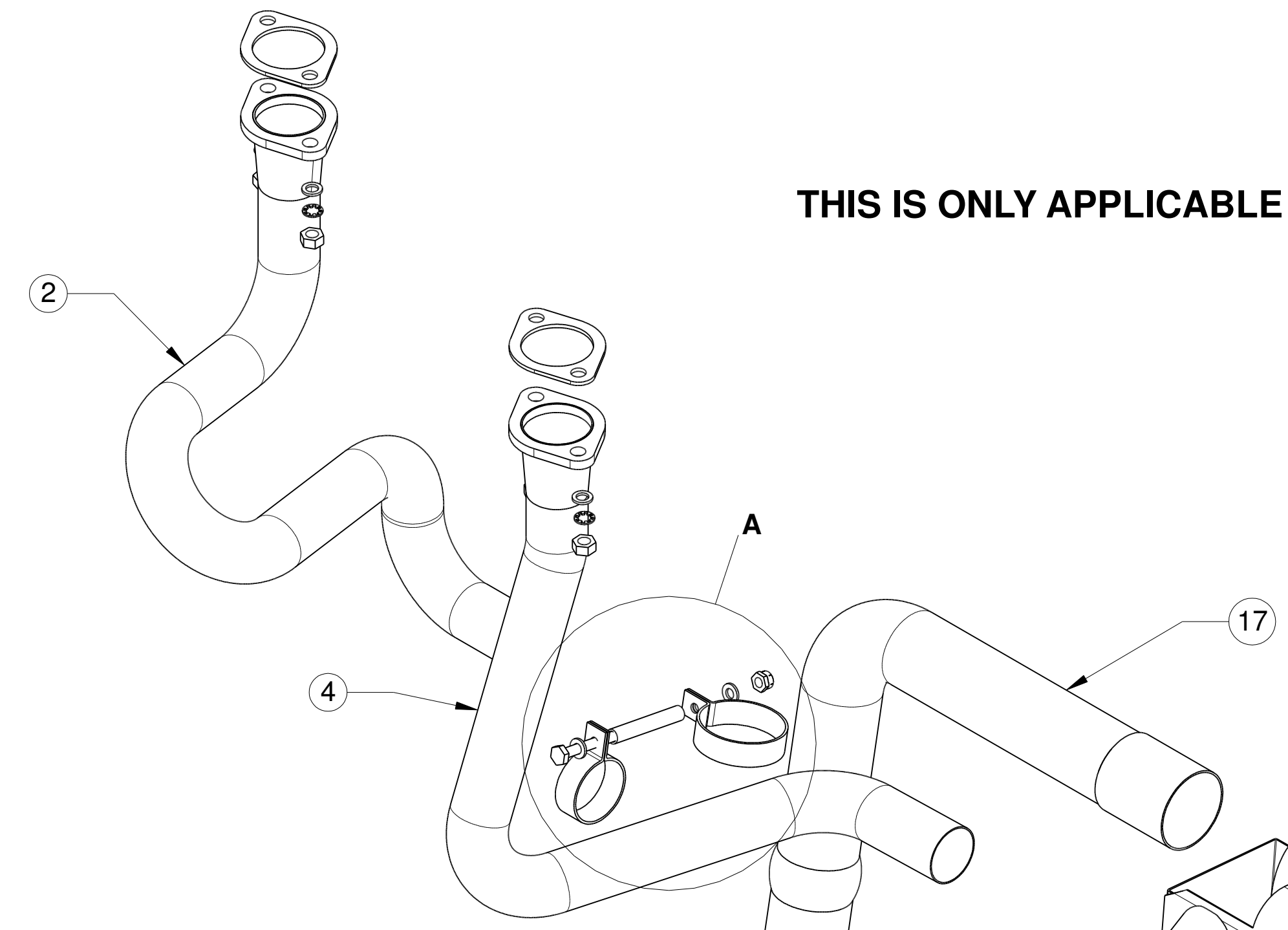
**THIS IS ONLY APPLICABLE TO PFS-14180**



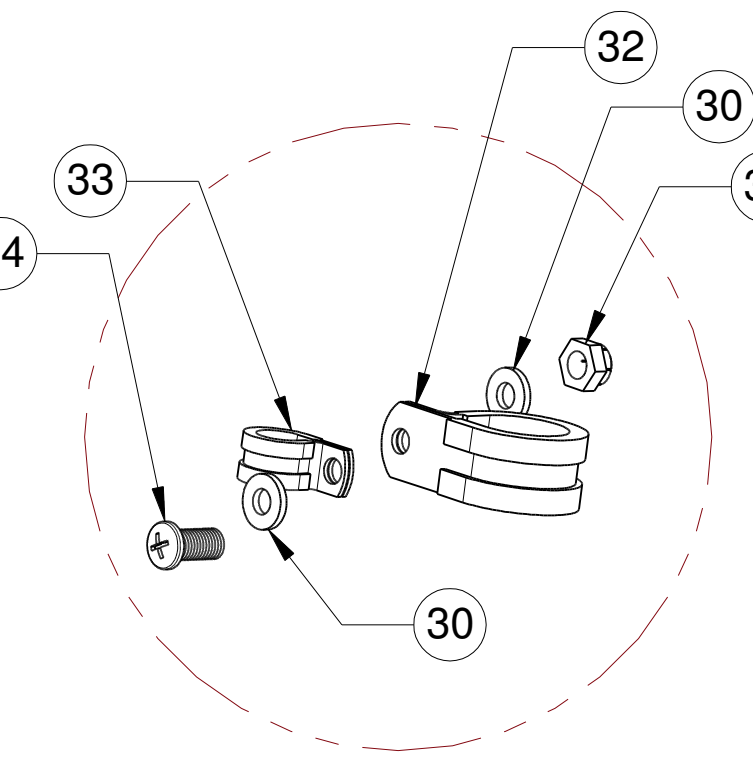
Detail A



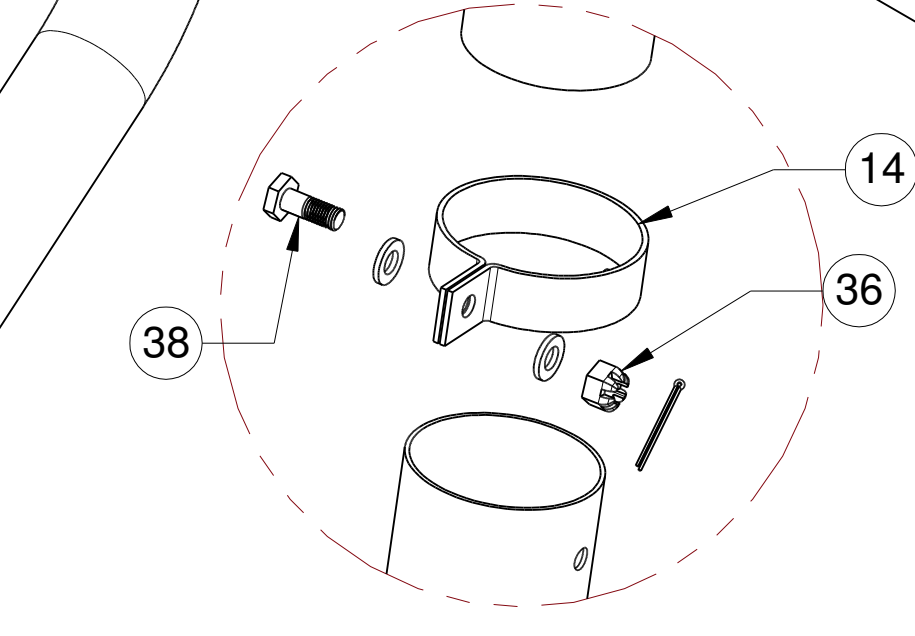
Detail E



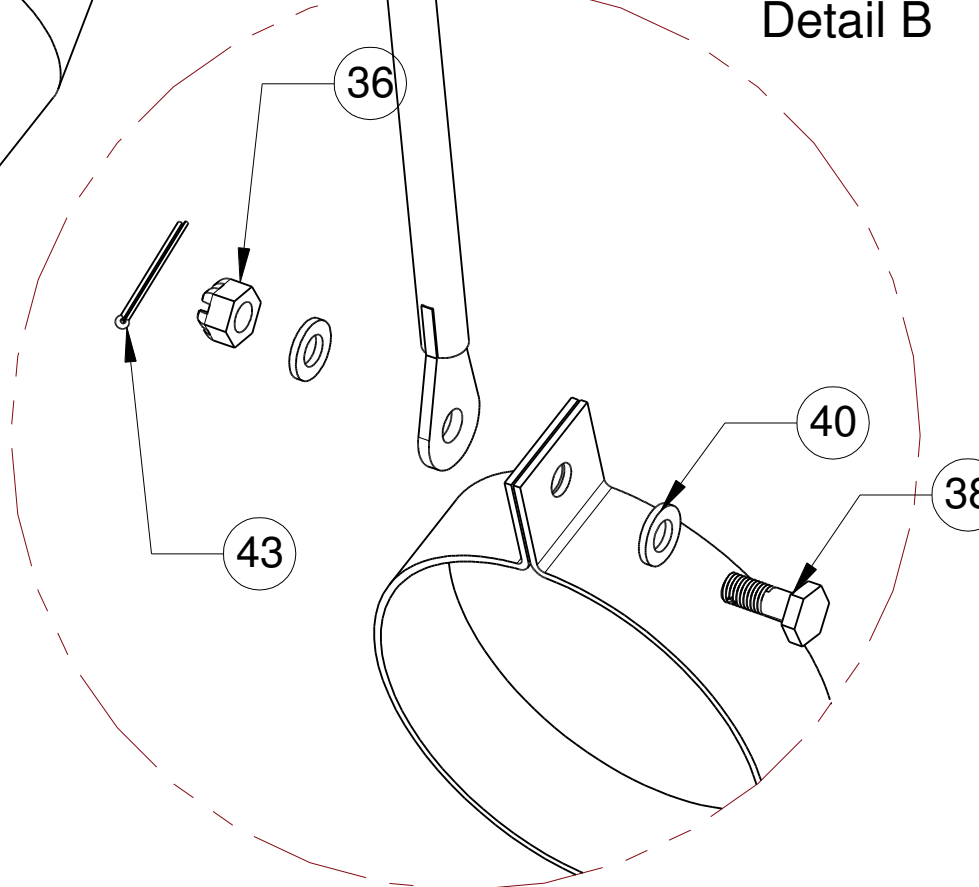
THE SLIDER HAS OTHER OPTIONS FOR 2" AND 2.5" CABIN HEAT. THESE OPTIONS ARE DETAILED ON PAGE 4.



Detail C



Detail B

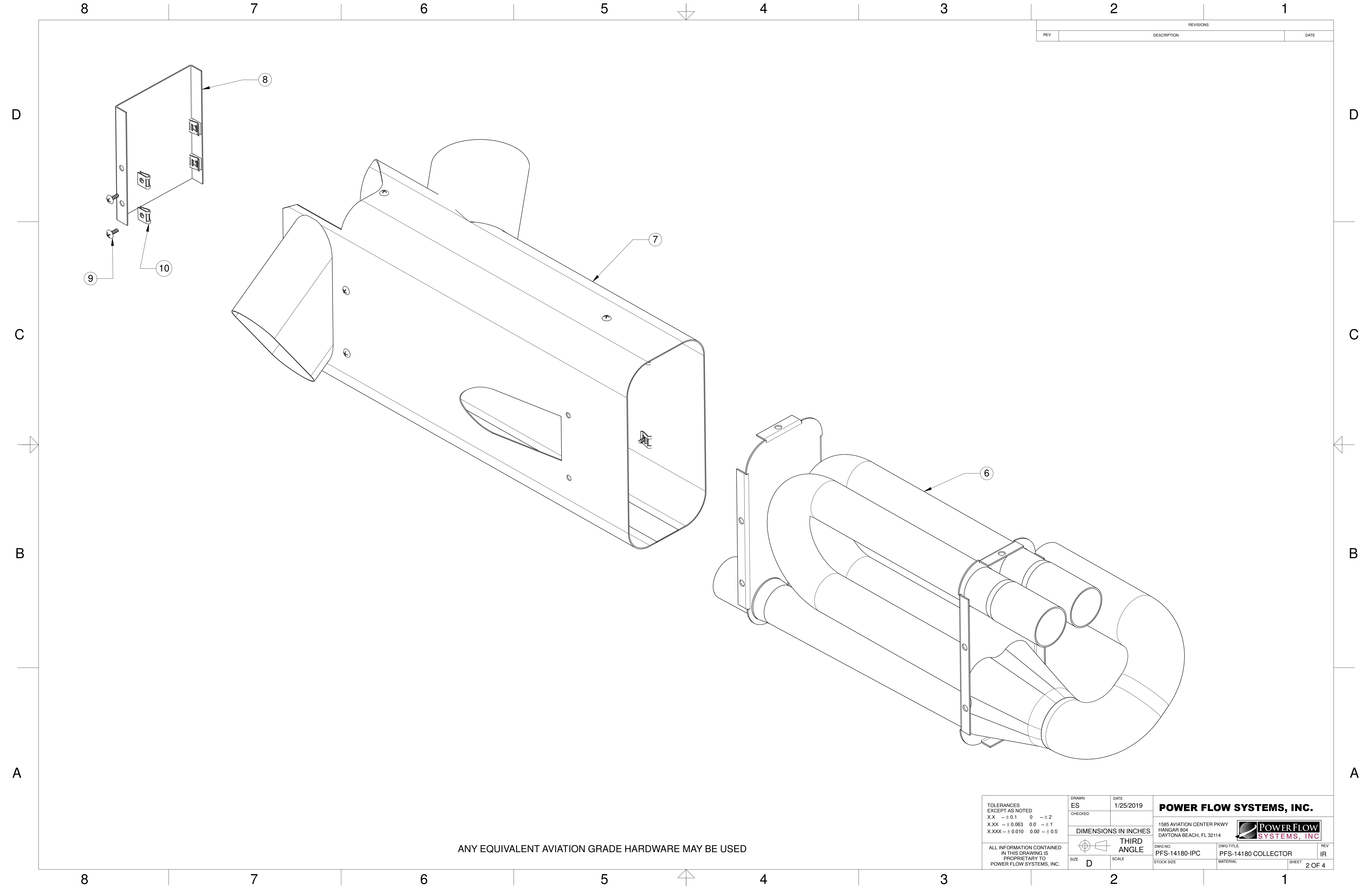


Detail D


ANY EQUIVALENT AVIATION GRADE HARDWARE MAY BE USED

TOLERANCES EXCEPT AS NOTED XX ±0.1 0 ±0.2 XXX ±0.063 0.0 ±0.1 XXXX ±0.010 0.00 ±0.5	DRAWN ES	DATE 1/25/2019	<b>POWER FLOW SYSTEMS, INC.</b> 1585 AVIATION CENTER PKWY HANGAR 804 DAYTONA BEACH, FL 32114 
	CHECKED		
ALL INFORMATION CONTAINED IN THIS DRAWING IS PROPRIETARY TO POWER FLOW SYSTEMS, INC.	DIMENSIONS IN INCHES THIRD ANGLE		DWG NO. PFS-14180-IPC
	SIZE D	SCALE	DWG TITLE PFS-14180 SYSTEM ASSEMBLY
			MATERIAL IR
			SHEET 1 OF 4

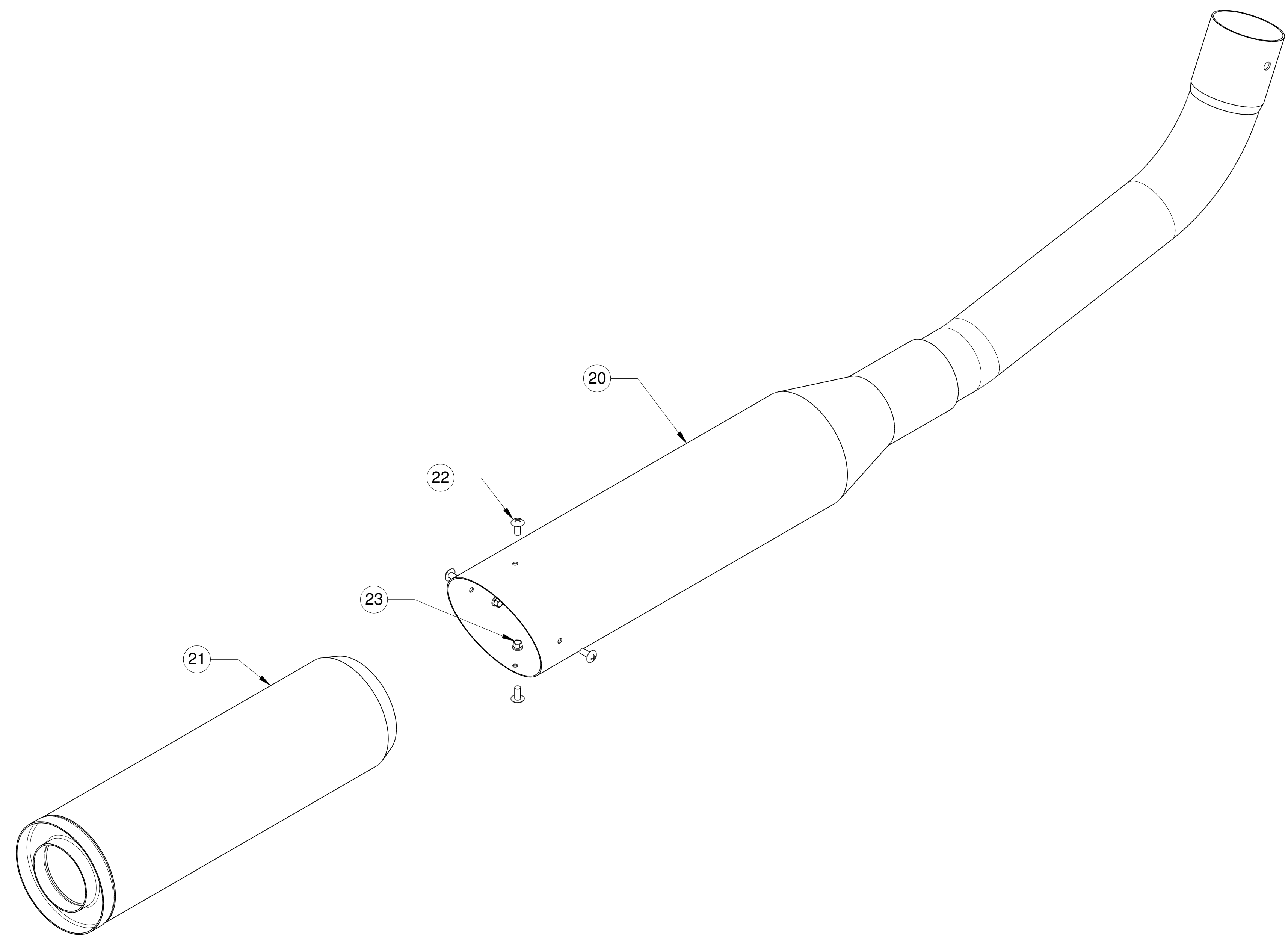
REVISIONS		
REV	DESCRIPTION	DATE




ANY EQUIVALENT AVIATION GRADE HARDWARE MAY BE USED

TOLERANCES EXCEPT AS NOTED XX ±0.1 0 ±2 XXX ±0.063 0.0 ±1 XXXX ±0.010 0.00 ±0.5	DRAWN ES	DATE 1/25/2019	<b>POWER FLOW SYSTEMS, INC.</b> 1585 AVIATION CENTER PKWY HANGAR 804 DAYTONA BEACH, FL 32114 
	CHECKED		
ALL INFORMATION CONTAINED IN THIS DRAWING IS PROPRIETARY TO POWER FLOW SYSTEMS, INC.	DIMENSIONS IN INCHES THIRD ANGLE		DWG NO. PFS-14180-IPC
	SIZE D	SCALE	DWG TITLE PFS-14180 COLLECTOR
			REV IR
			SHEET 2 OF 4

REVISIONS		
REV	DESCRIPTION	DATE

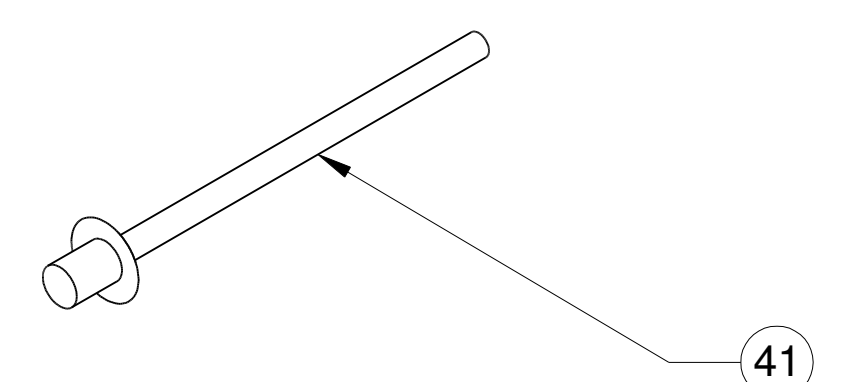
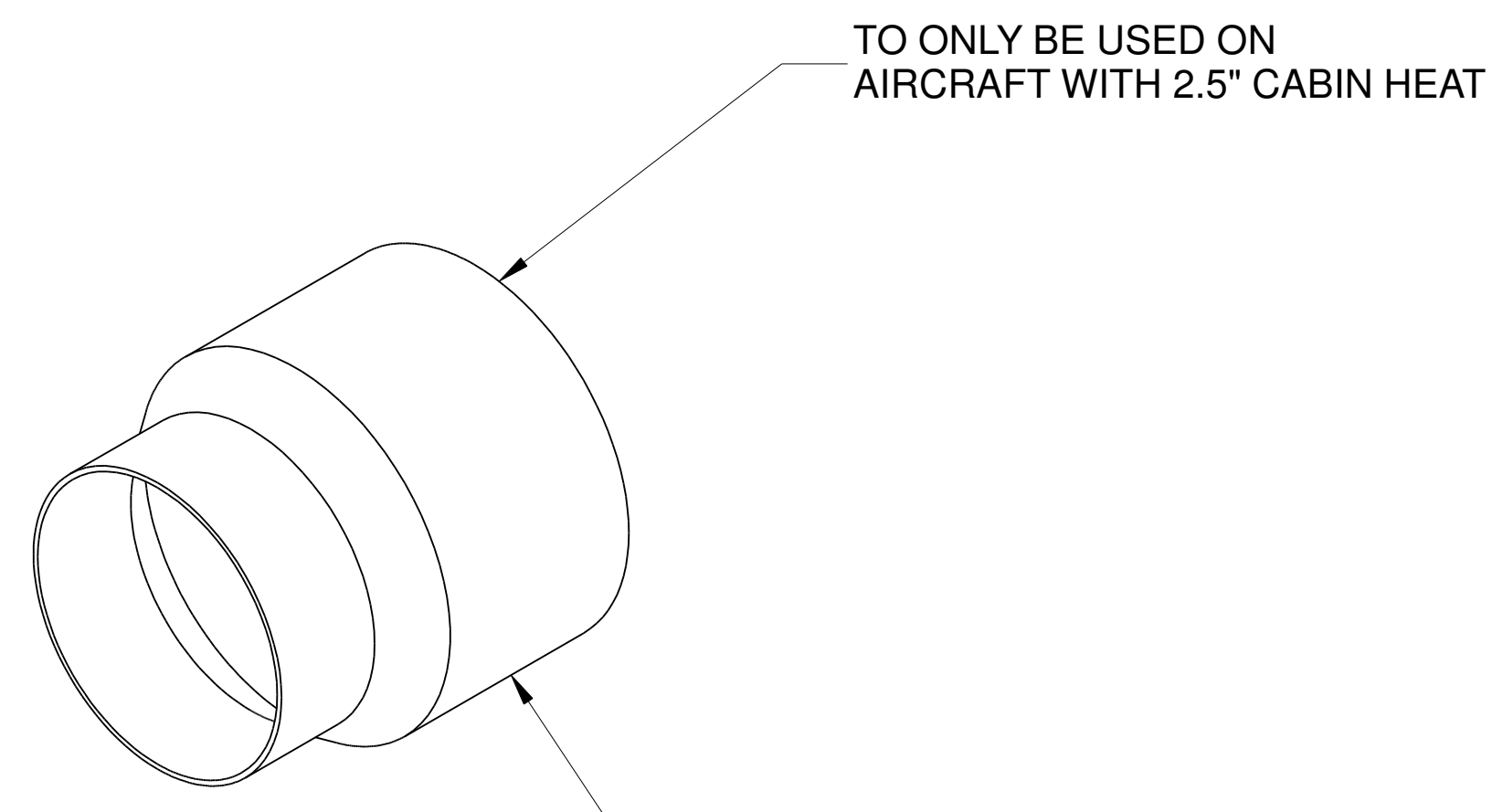
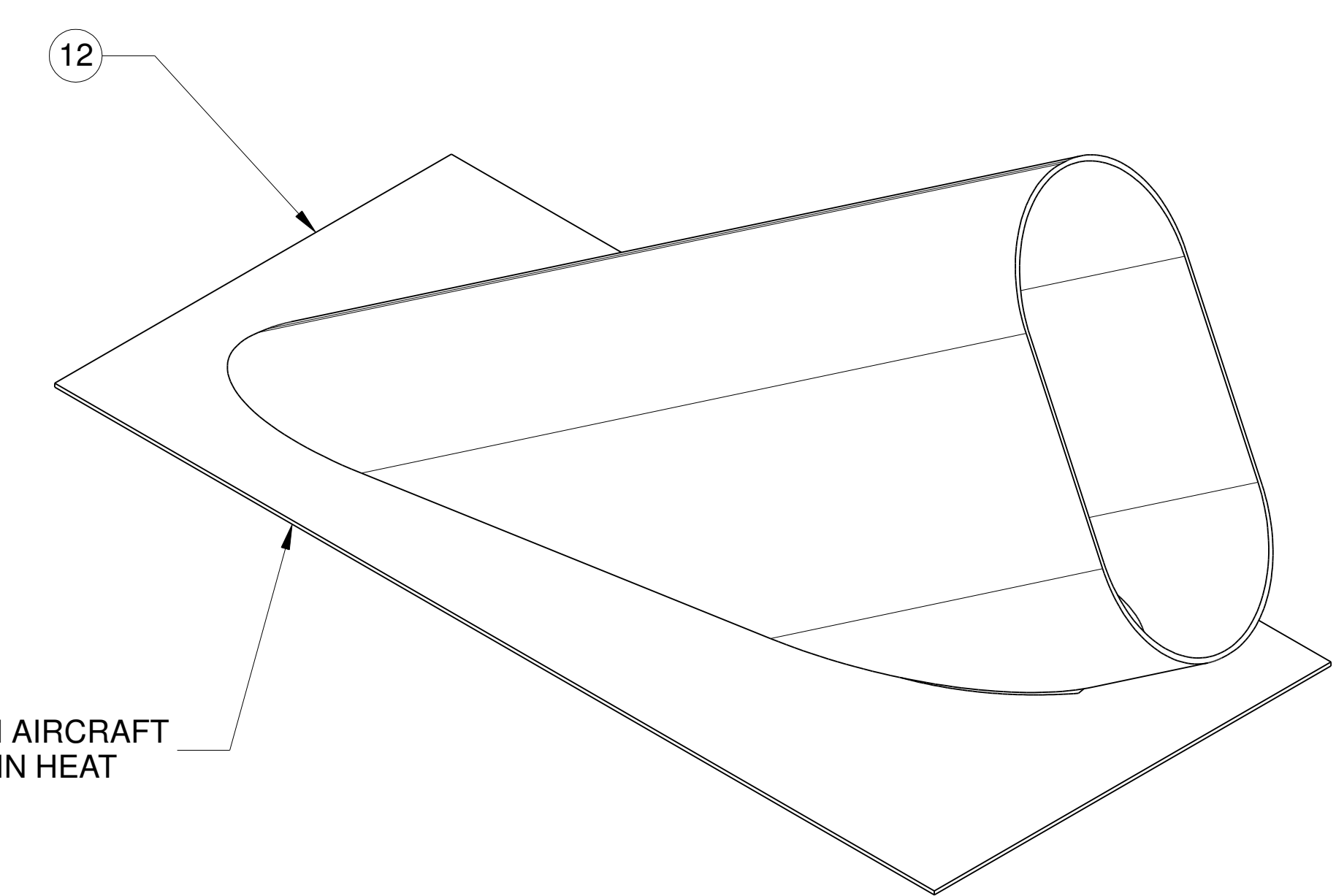
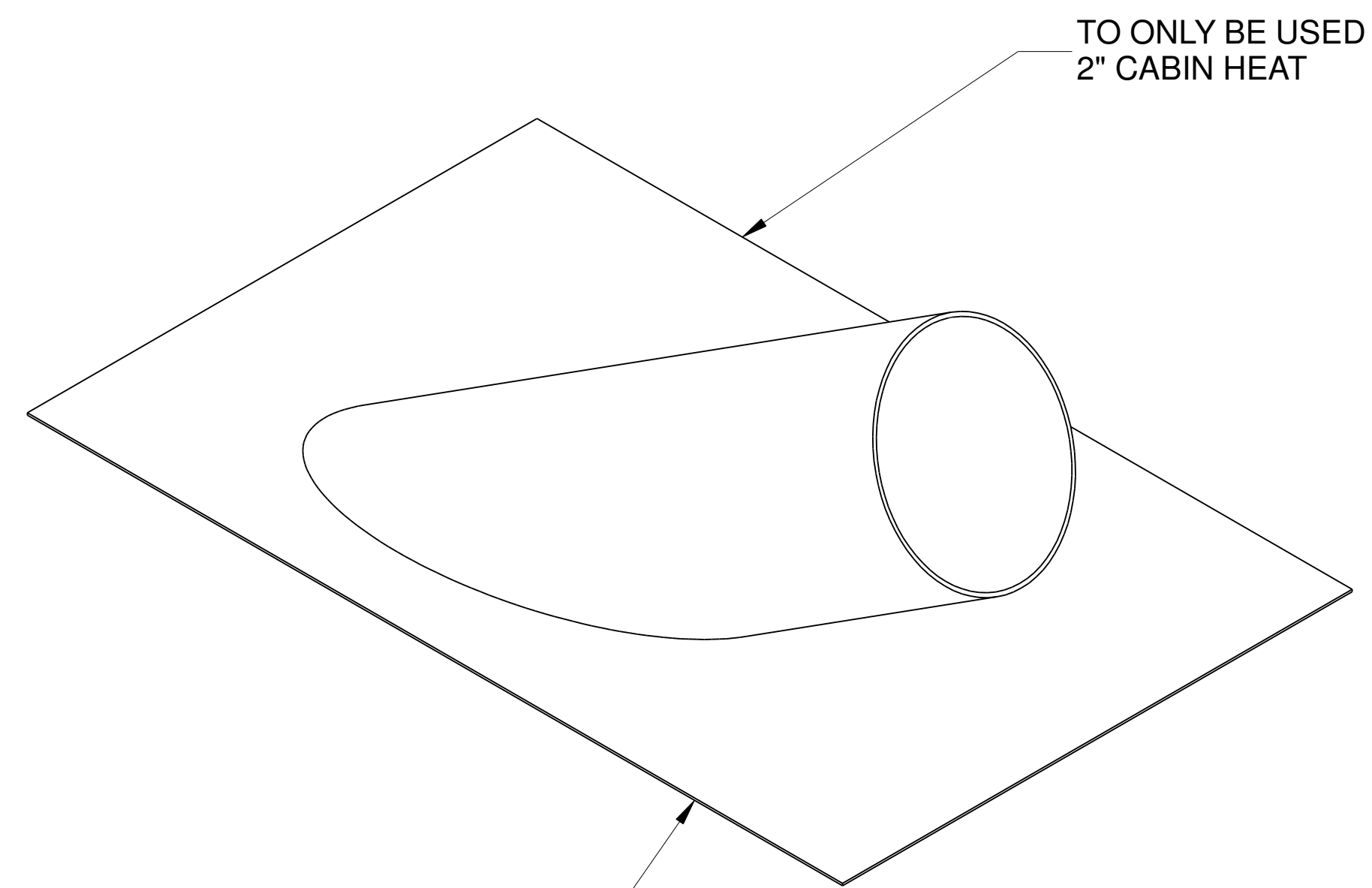


ANY EQUIVALENT AVIATION GRADE HARDWARE MAY BE USED


TOLERANCES EXCEPT AS NOTED XX ±0.1 0 ±2 XXX ±0.063 0.0 ±1 XXXX ±0.010 0.00 ±0.5	DRAWN ES	DATE 1/25/2019	<b>POWER FLOW SYSTEMS, INC.</b> 1585 AVIATION CENTER PKWY HANGAR 804 DAYTONA BEACH, FL 32114 
	CHECKED	DIMENSIONS IN INCHES THIRD ANGLE	
ALL INFORMATION CONTAINED IN THIS DRAWING IS PROPRIETARY TO POWER FLOW SYSTEMS, INC.	SIZE D	SCALE	DWG TITLE PFS-14180 TAILPIPE ASSEMBLY
			MATERIAL IR
			SHEET 3 OF 4



REVISIONS		
REV	DESCRIPTION	DATE



ANY EQUIVALENT AVIATION GRADE HARDWARE MAY BE USED

TOLERANCES EXCEPT AS NOTED XX ±0.1 0 ±2 XXX ±0.063 0.0 ±1 XXXX ±0.010 0.00 ±0.5	DRAWN ES	DATE 1/25/2019	<b>POWER FLOW SYSTEMS, INC.</b> 1585 AVIATION CENTER PKWY HANGAR 804 DAYTONA BEACH, FL 32114 
	CHECKED	DIMENSIONS IN INCHES THIRD ANGLE	
ALL INFORMATION CONTAINED IN THIS DRAWING IS PROPRIETARY TO POWER FLOW SYSTEMS, INC.	SIZE D	SCALE	DWG TITLE PFS-14180 SLIDER OPTIONS
STOCK SIZE	MATERIAL	SHEET 4 OF 4	REV IR

# PFS-14180 IPC BOM

**NOTE: COMMONLY ORDERED PARTS ARE BOLDED**

Item	Part Number	Description	Qty Per Assy	HW Pack #	Comment
1	11080	HEADER #1	1		
2	12080	HEADER #2	1		
3	13080	HEADER #3	1		
4	14080	HEADER #4	1		
5	41180	SHROUDED COLLECTOR	1		
<b>6</b>	<b>38001</b>	<b>COLLECTOR ASSEMBLY</b>	<b>1</b>		INC. IN PFS-41180 OR <b>PFS-38001</b>
7	50180	SHROUD SUB-ASSY	1		INC. IN PFS-41180 OR PFS-50180
8	6803	ENDPLATE	1		INC. IN PFS-41180 OR PFS-50180
9	8RX1/2THBS/S	#8 STAINLESS STEEL SCREW	18		INC. IN PFS-41180, PFS-38001 OR PFS-51180
10	D1274-8-1	TINNERMAN CLIP	18		INC. IN PFS-41180, PFS-38001 OR PFS-51180
11	4180	SLIDER, PA28-180	1		FOR AIRCRAFT WITH 2IN CABIN AIR INLET ONLY
12	4181	SLIDER, 3", PA28-180	1		FOR AIRCRAFT WITH 2.5 OR 3IN CABIN AIR INLET ONLY
13	6582	REDUCER 3IN TO 2.5IN	1		FOR AIRCRAFT WITH 2.5IN CABIN AIR INLET ONLY
<b>14</b>	<b>7020</b>	<b>CLAMP, 2IN, PINNED, POLISHED</b>	<b>2</b>		
<b>15</b>	<b>7021</b>	<b>CLAMP, 2IN</b>	<b>1</b>		
<b>16</b>	<b>7030</b>	<b>CLAMP, 1.62INx0.64</b>	<b>1</b>		
17	7802	EXHAUST EXTENSION TUBE	1		
18	80010-CER	STUFFED MUFFLER, CERAMIC COATED	1		
19	80010	STUFFED MUFFLER ASSEMBLY	1		
20	8010	MUFFLER BODY	1		INC. IN 80010
<b>21</b>	<b>8016</b>	<b>WRAPPED MUFFLER INSERT</b>	<b>1</b>		INC. IN 80010 OR <b>PFS-8016</b>
22	AN526C832R6	SCREW, #8 x 3/8, CRES	4		INC. IN 80010 OR PFS-8016
23	MS21042L08	NUT, LOCKING, #8	4		INC. IN 80010 OR PFS-8016
<b>24</b>	<b>8030</b>	<b>CLAMP, MUFFLER, POLISHED</b>	<b>1</b>		
25	90180	SUPPORT ROD, PA28-180	1		
	10310	HW PACK, HEADERS AND CLAMPS	1		
26	77611	LYCOMING EXHAUST GASKET	4	10310	
27	94819A046	ASTM F594 S/S HEX NUT 5/16-18	8	10310	
28	AN960-516	WASHER, PLAIN, 5/16	8	10310	
29	MS35333-41	WASHER LOCKING, 5/16	8	10310	
	10321	HW PACK, ADEL CLAMP	1		
30	AN960C10	WASHER, PLAIN, 3/16, CRES	2	10321	
31	MS21045C3	NUT, LOCKING, 3/16, CRES	1	10321	
32	MS21919WH12	CLAMP, ADEL, #12	1	10321	
33	MS21919WH6	CLAMP, ADEL, 3/8	1	10321	
34	MS51958-63	SCREW, PANHEAD, #10x1/2"	1	10321	
	10381	HW PACK, PFS-14180	1		

## PFS-14180 IPC BOM

35		14180-19	STANDOFF, PFS-14180 KIT	1	10381	
36		AN310C4	NUT, CASTLE, 1/4, CRES	2		SUPERSEDED BY LOCKING NUT (ITEM 42), SEE 10362
37		AN4C30A	BOLT, 1/4x3 1/32, CRES, UNDRILLED	1	10381	
38		AN4C5	BOLT, 1/4x3/16, CRES	2		SUPERSEDED BY UNDRILLED BOLT (ITEM 39), SEE 10362
39		AN4C5A	BOLT, 1/4IN, UNDRILLED, CRES	2	10381	REPLACES DRILLED BOLT (ITEM 38)
40		AN960C416	WASHER, PLAIN, 1/4, CRES	8	10381	
41		CCP-32	RIVET, BLIND STAINLESS, 3/32", 0.04"	4	10381	
42		MS21045C4	NUT, LOCKING, 1/4, CRES	3	10381	2 ADDITIONAL TO REPLACE CASTLE NUT (ITEM 36) AND COTTER PIN (ITEM 42)
43		MS24665-153	COTTER PIN	2		SUPERSEDED BY LOCKING NUT (ITEM 42), SEE 10362
		10362	HW PACK, CLAMP			<b>REPLACEMENT PACK FOR ITEMS 36, 38 AND 43</b>
	39	AN4C5A	BOLT, 1/4IN, UNDRILLED, CRES	1	10362	
	40	AN960C416	WASHER, PLAIN, 1/4, CRES	2	10362	
	42	MS21045C4	NUT, LOCKING, 1/4, CRES	1	10362	
		SCAT-4	SCAT HOSE, 1.0	36 INCH		