
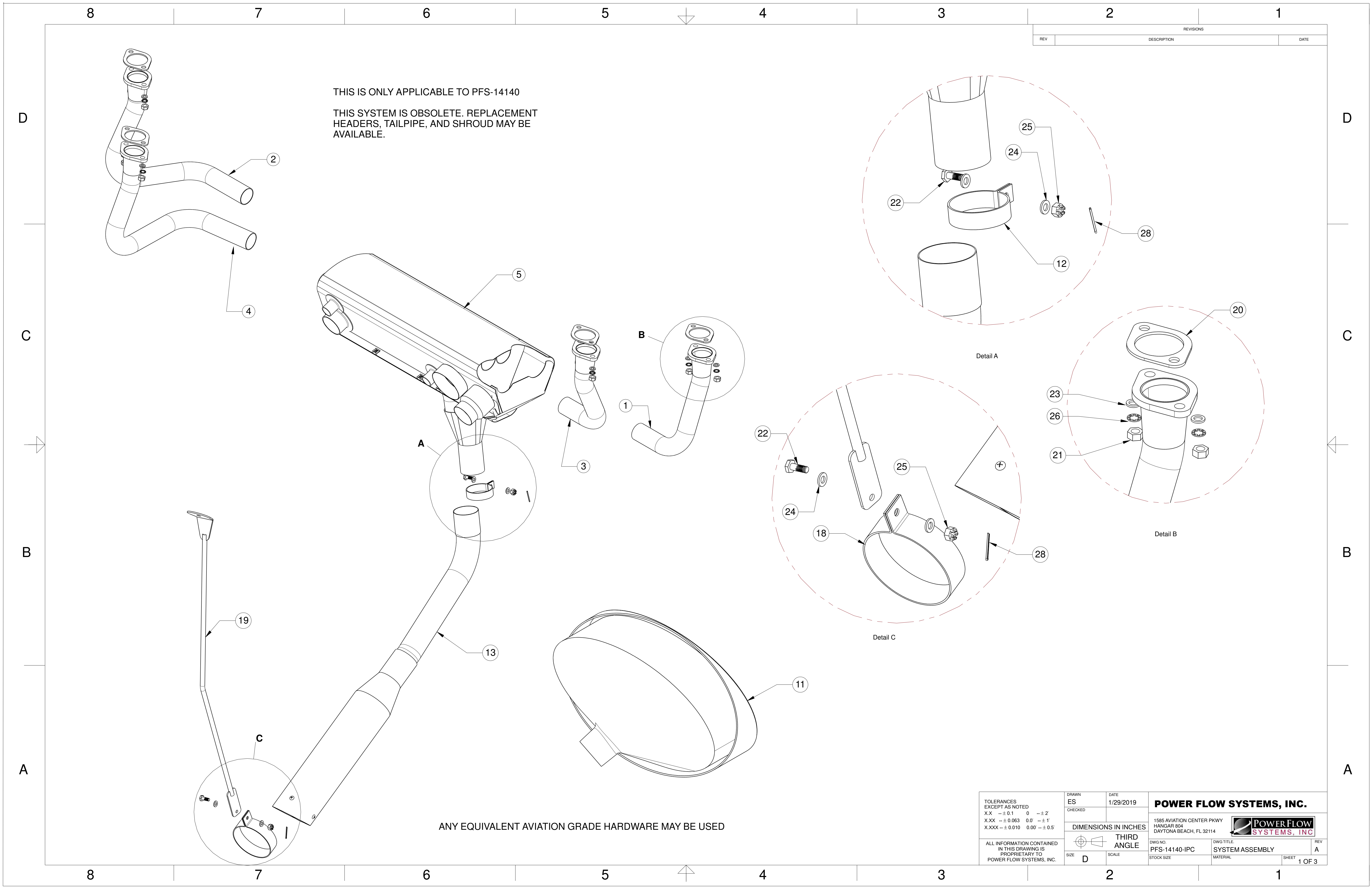


REV		DESCRIPTION	DATE

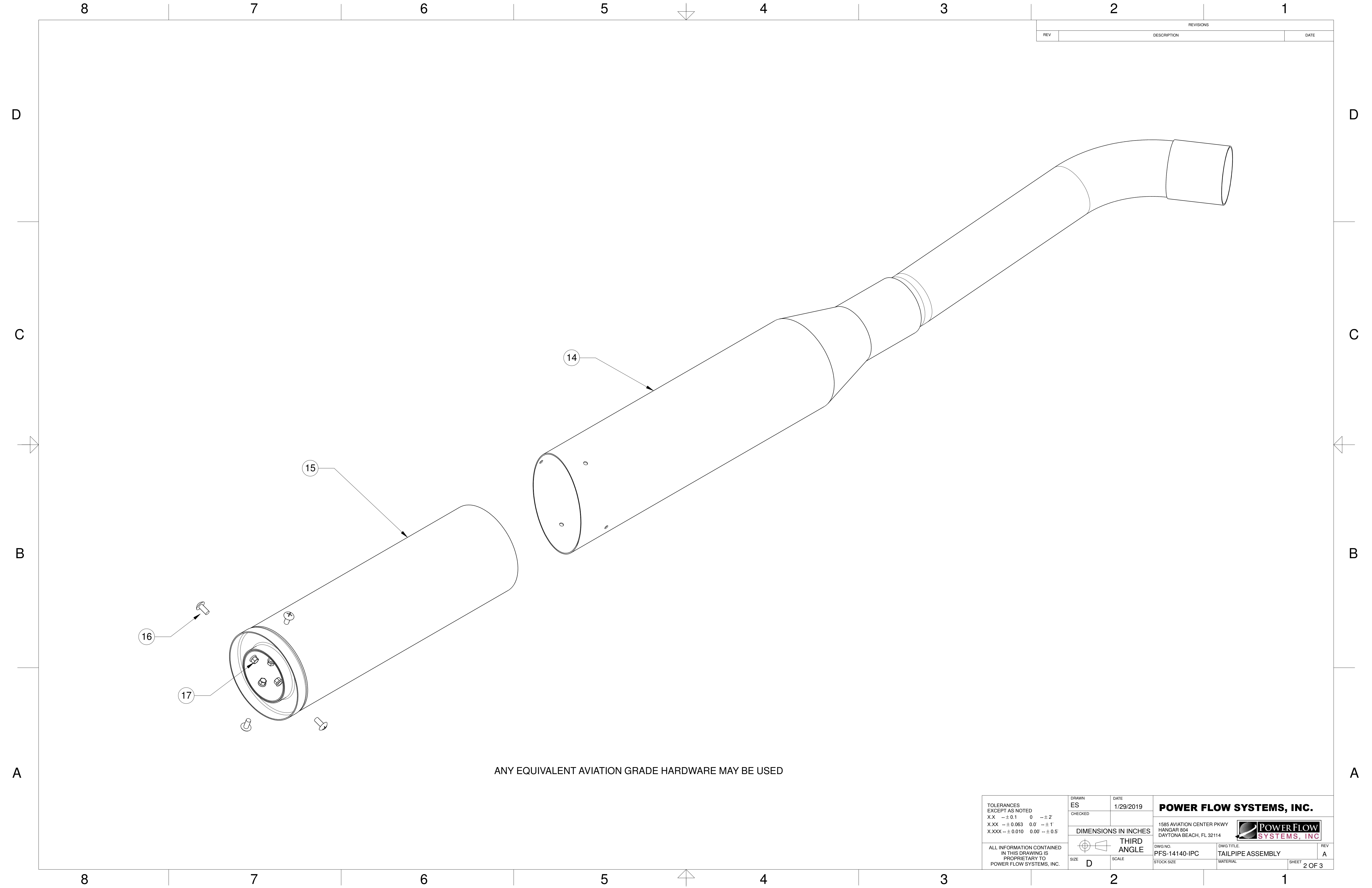
THIS IS ONLY APPLICABLE TO PFS-14140
 THIS SYSTEM IS OBSOLETE. REPLACEMENT
 HEADERS, TAILPIPE, AND SHROUD MAY BE
 AVAILABLE.

ANY EQUIVALENT AVIATION GRADE HARDWARE MAY BE USED


TOLERANCES EXCEPT AS NOTED XX ±0.1 0 ±0.2 XXX ±0.063 0.0 ±0.1 XXXX ±0.010 0.00 ±0.5	DRAWN ES	DATE 1/29/2019	POWER FLOW SYSTEMS, INC. 1585 AVIATION CENTER PKWY HANGAR 804 DAYTONA BEACH, FL 32114 
	CHECKED		
ALL INFORMATION CONTAINED IN THIS DRAWING IS PROPRIETARY TO POWER FLOW SYSTEMS, INC.	DIMENSIONS IN INCHES THIRD ANGLE		DWG NO. PFS-14140-IPC
	SIZE D	SCALE	DWG TITLE SYSTEM ASSEMBLY
			MATERIAL SHEET 1 OF 3



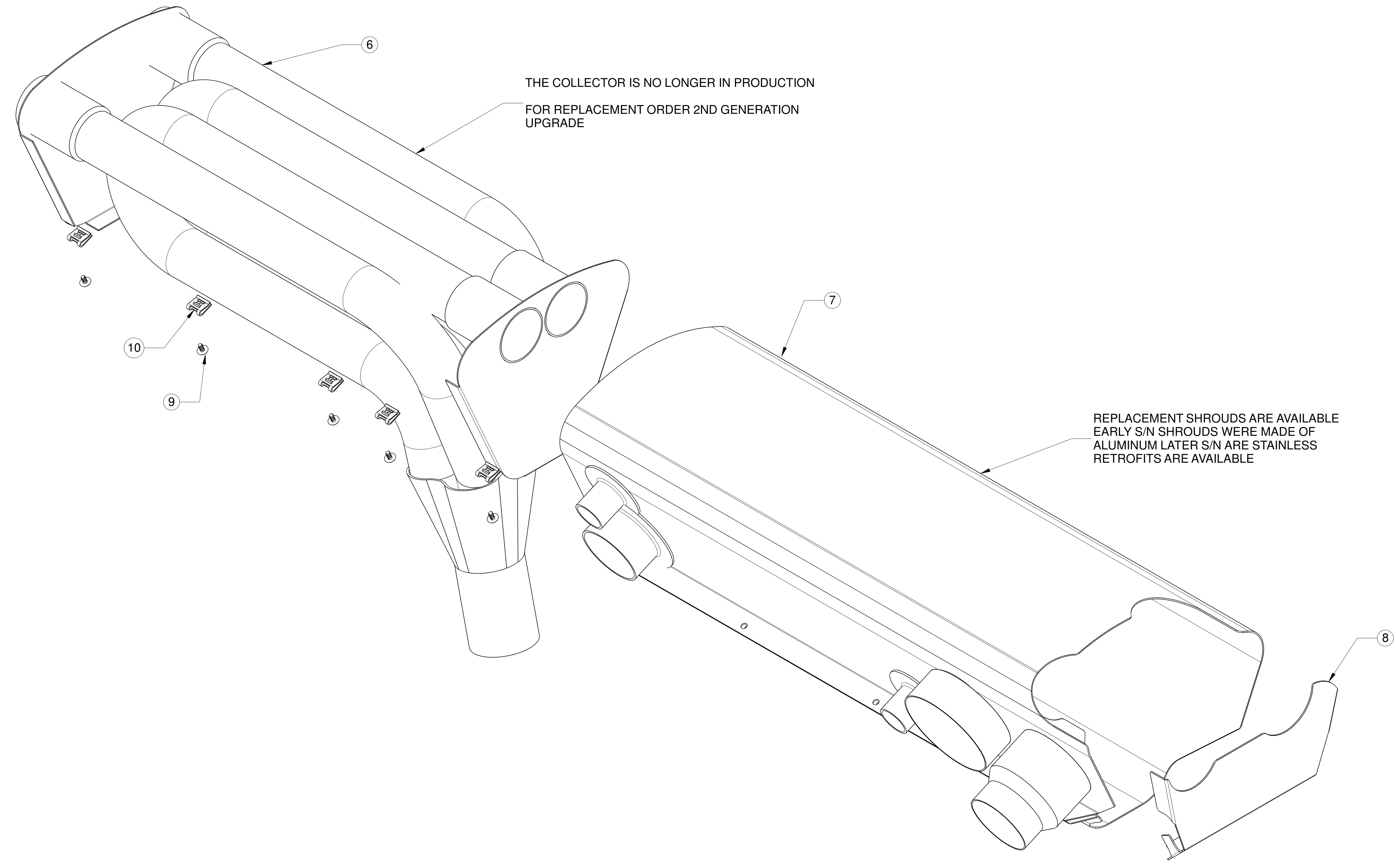
REVISIONS		
REV	DESCRIPTION	DATE



ANY EQUIVALENT AVIATION GRADE HARDWARE MAY BE USED

TOLERANCES EXCEPT AS NOTED XX ±0.1 0 ±0.2 XXX ±0.063 0.0 ±0.1 XXXX ±0.010 0.00 ±0.5	DRAWN ES	DATE 1/29/2019	POWER FLOW SYSTEMS, INC. 1585 AVIATION CENTER PKWY HANGAR 804 DAYTONA BEACH, FL 32114 
	CHECKED		
ALL INFORMATION CONTAINED IN THIS DRAWING IS PROPRIETARY TO POWER FLOW SYSTEMS, INC.	DIMENSIONS IN INCHES THIRD ANGLE		DWG NO. PFS-14140-IPC
	SIZE D	SCALE	DWG TITLE TAILPIPE ASSEMBLY
			MATERIAL SHEET 2 OF 3


REVISIONS		
REV	DESCRIPTION	DATE



THE COLLECTOR IS NO LONGER IN PRODUCTION
FOR REPLACEMENT ORDER 2ND GENERATION
UPGRADE

REPLACEMENT SHROUDS ARE AVAILABLE
EARLY S/N SHROUDS WERE MADE OF
ALUMINUM LATER S/N ARE STAINLESS
RETROFITS ARE AVAILABLE

ANY EQUIVALENT AVIATION GRADE HARDWARE MAY BE USED

TOLERANCES EXCEPT AS NOTED XX ±0.1 0 ±2 XXX ±0.063 0.0 ±1 XXXX ±0.010 0.00 ±0.5	DRAWN ES	DATE 1/29/2019	POWER FLOW SYSTEMS, INC. 1585 AVIATION CENTER PKWY HANGAR 804 DAYTONA BEACH, FL 32114 
	CHECKED		
ALL INFORMATION CONTAINED IN THIS DRAWING IS PROPRIETARY TO POWER FLOW SYSTEMS, INC.	DIMENSIONS IN INCHES THIRD ANGLE		DWG NO. PFS-14140-IPC
	SIZE D	SCALE	DWG TITLE COLLECTOR ASSEMBLY
			MATERIAL COLLECTOR ASSEMBLY
			SHEET 3 OF 3

PFS-14140 IPC BOM

NOTE: COMMONLY ORDERED PARTS ARE BOLDED

Item	Part Number	Description	Qty Per Assy	HW Pack #	Comment
1	11100	HEADER #1	1		
2	12100	HEADER #2	1		
3	13100	HEADER #3	1		
4	14100	HEADER #4	1		
5	41140S	SHROUDED COLLECTOR	1		COLLECTOR NO LONGER AVAILABLE, NOW 2ND GEN UPGRADE
6	30001	COLLECTOR ASSEMBLY	1		COLLECTOR NO LONGER AVAILABLE, NOW 2ND GEN UPGRADE. ENDPLATES ARE AVAILABLE.
7	50140S	SHROUD SUBASSEMBLY	1		INC. IN PFS-50140S
8	6001S	SHROUD ENDPLATE	1		INC. IN PFS-50140S
9	8RX1/2THBS/S	#8 STAINLESS STEEL SCREW	20		INC. IN PFS-50140S
10	D1274-8-1	TINNERMAN CLIP	20		INC. IN PFS-50140S
11	60028	AIR INLET BOX/NOSE BOWL	1		
12	7020	CLAMP, 2IN, PINNED, POLISHED	1		
13	80140-CER	STUFFED MUFFLER, CERAMIC COATED	1		
13	80140	STUFFED MUFFLER ASSEMBLY	1		
14	8040	MUFFLER BODY	1		INC. IN 80140
15	8016	WRAPPED MUFFLER INSERT	1		INC. IN 80140 OR PFS- 8016
16	AN526C832R6	SCREW, #8 x 3/8, CRES	4		INC. IN 80140 OR PFS-8016
17	MS21042L08	NUT, LOCKING, #8	4		INC. IN 80140 OR PFS-8016
18	8030	CLAMP, MUFFLER, POLISHED	1		
19	90140	SUPPORT ROD, PA28	1		
	10320	HW PACK, HEADERS AND CLAMPS	1		
20	77611	LYCOMING EXHAUST GASKET	4	10320	
21	94819A045	ASTM F594 S/S HEX NUT 5/16-18	8	10320	
22	AN4C5A	BOLT, 1/4IN, UNDRILLED, CRES	2	10320	REPLACES DRILLED BOLT (ITEM 27)
23	AN960-516	WASHER, PLAIN, 5/16	8	10320	
24	AN960C416	WASHER, PLAIN, 1/4, CRES	4	10320	
25	MS21045C4	NUT, LOCKING, 1/4, CRES	2	10320	REPLACES CASTLE NUT (ITEM 29) AND COTTER PIN (ITEM 28)
26	MS35333-41	WASHER LOCKING, 5/16	8	10320	
27	AN4C5	BOLT, 1/4IN, DRILLED, CRES	2		SUPERSEDED BY UNDRILLED BOLT (ITEM 22), SEE 10362
28	MS24665-153	COTTER PIN	2		SUPERSEDED BY LOCKING NUT (ITEM 25), SEE 10362
29	AN310C4	NUT, CASTLE, 1/4, CRES	2		SUPERSEDED BY LOCKING NUT (ITEM 25), SEE 10362

PFS-14140 IPC BOM

	10321		HW PACK, ADEL CLAMP	1		
30		AN960C10	WASHER, PLAIN, 3/16, CRES	2	10321	
31		MS21045C3	NUT, LOCKING, 3/16, CRES	1	10321	
32		MS21919WH12	CLAMP, ADEL, #12	1	10321	
33		MS21919WH6	CLAMP, ADEL, 3/8	1	10321	
34		MS51958-63	SCREW, PANHEAD, #10x1/2"	1	10321	
	10362					REPLACEMENT PACK FOR ITEMS 22, 24 AND 25
	22	AN4C5A	BOLT, 1/4IN, UNDRILLED, CRES	1	10362	
	24	AN960C416	WASHER, PLAIN, 1/4, CRES	2	10362	
	25	MS21045C4	NUT, LOCKING, 1/4, CRES	1	10362	