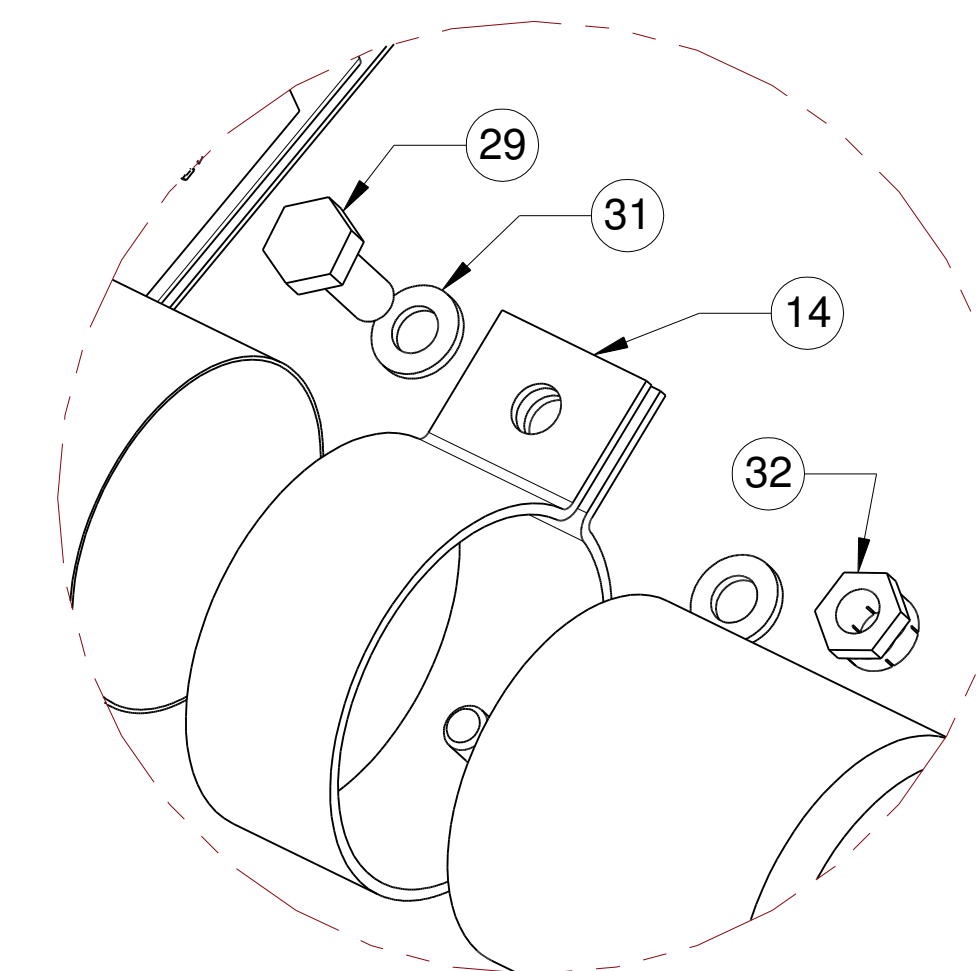
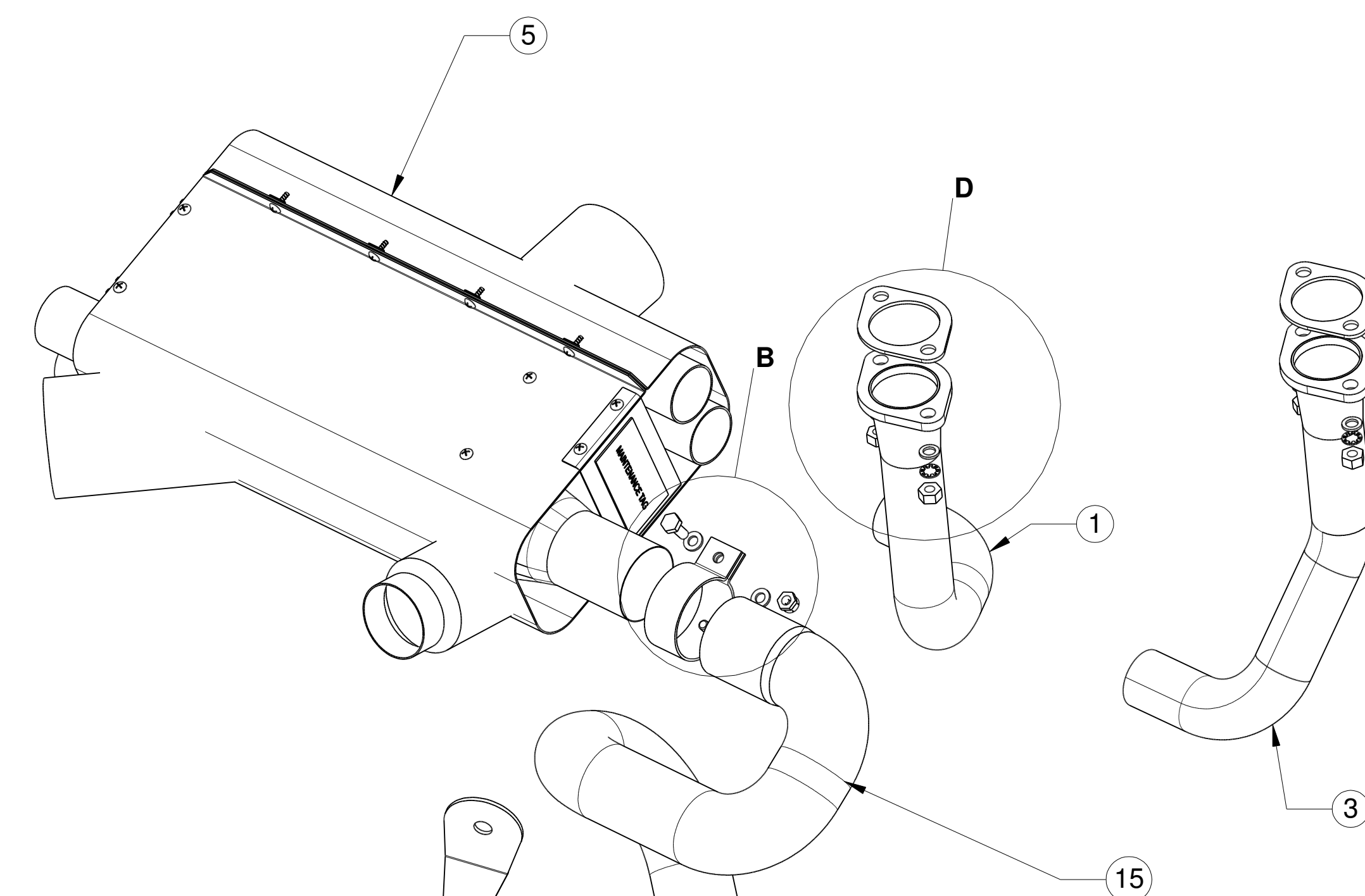
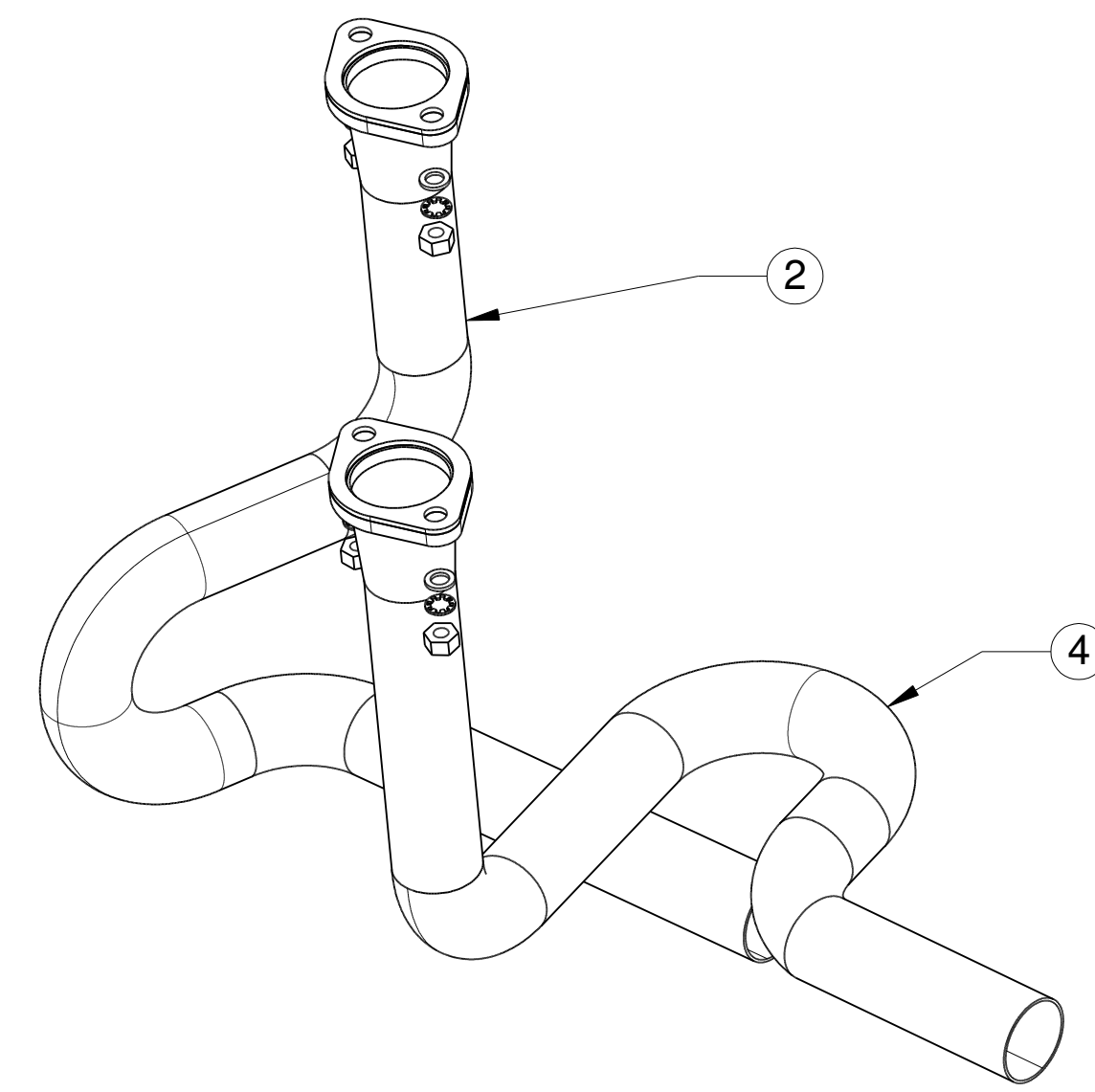
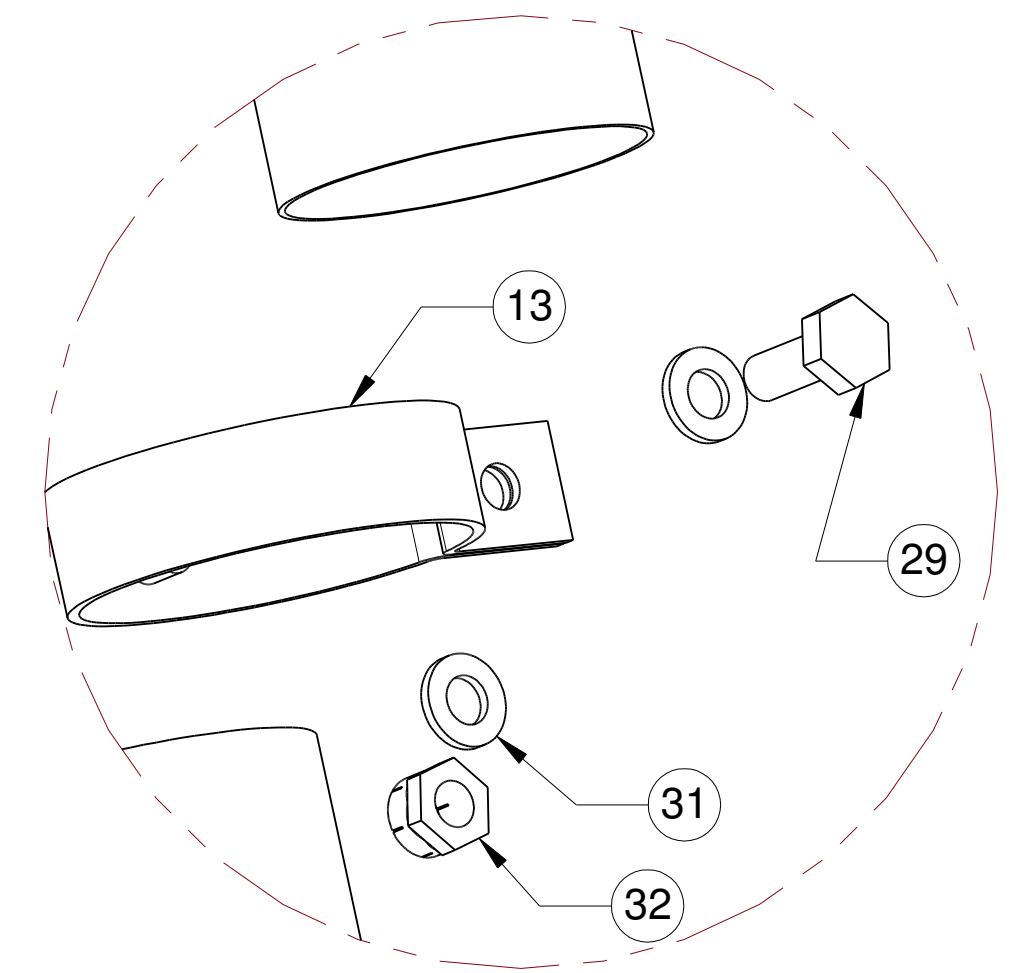


REVISIONS		DATE
REV	DESCRIPTION	

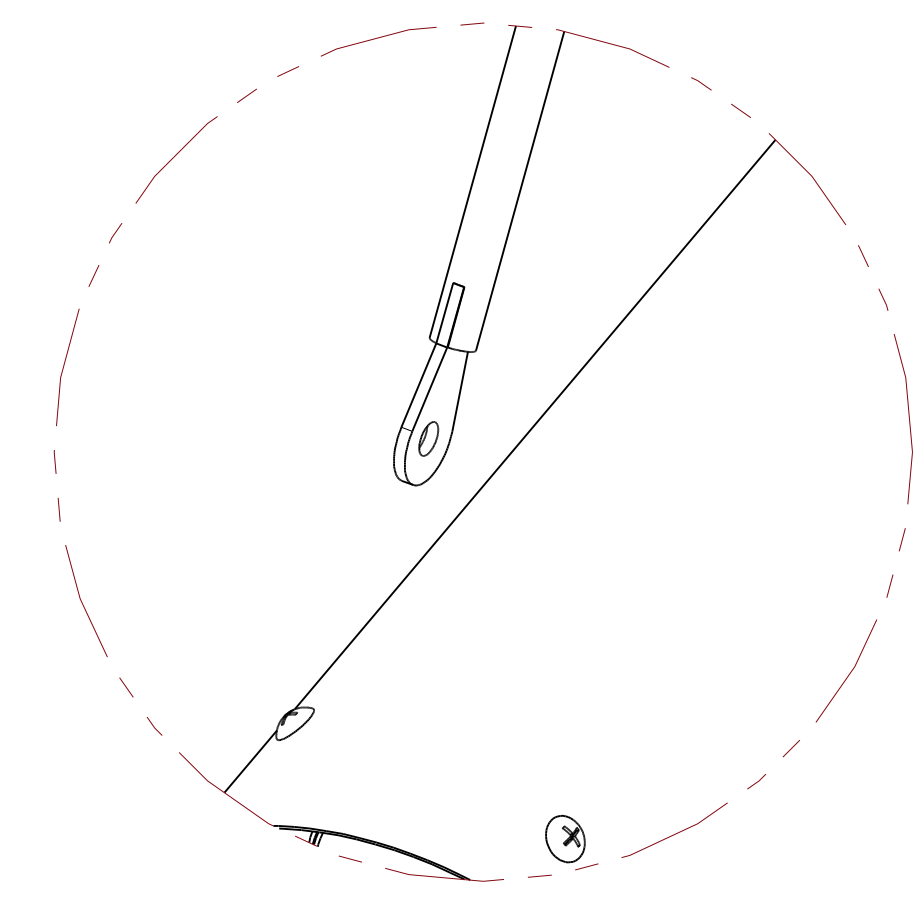
THIS IS ONLY APPLICABLE TO PFS-13803 SYSTEM IN THE CLASSIC CONFIGURATION



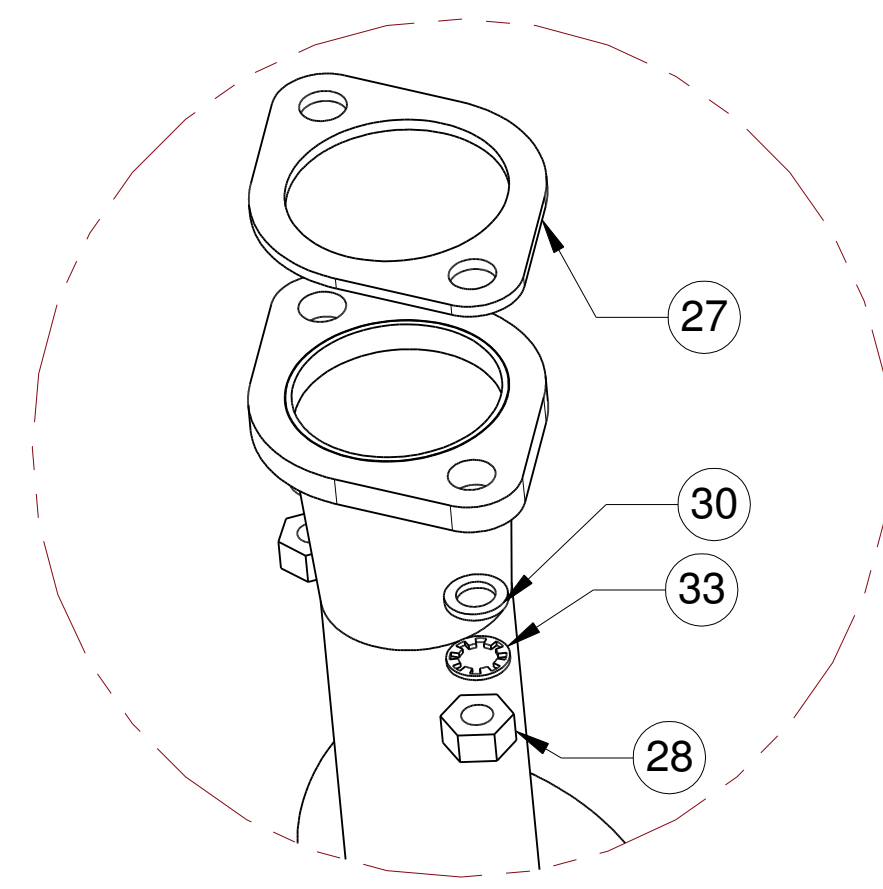
Detail B



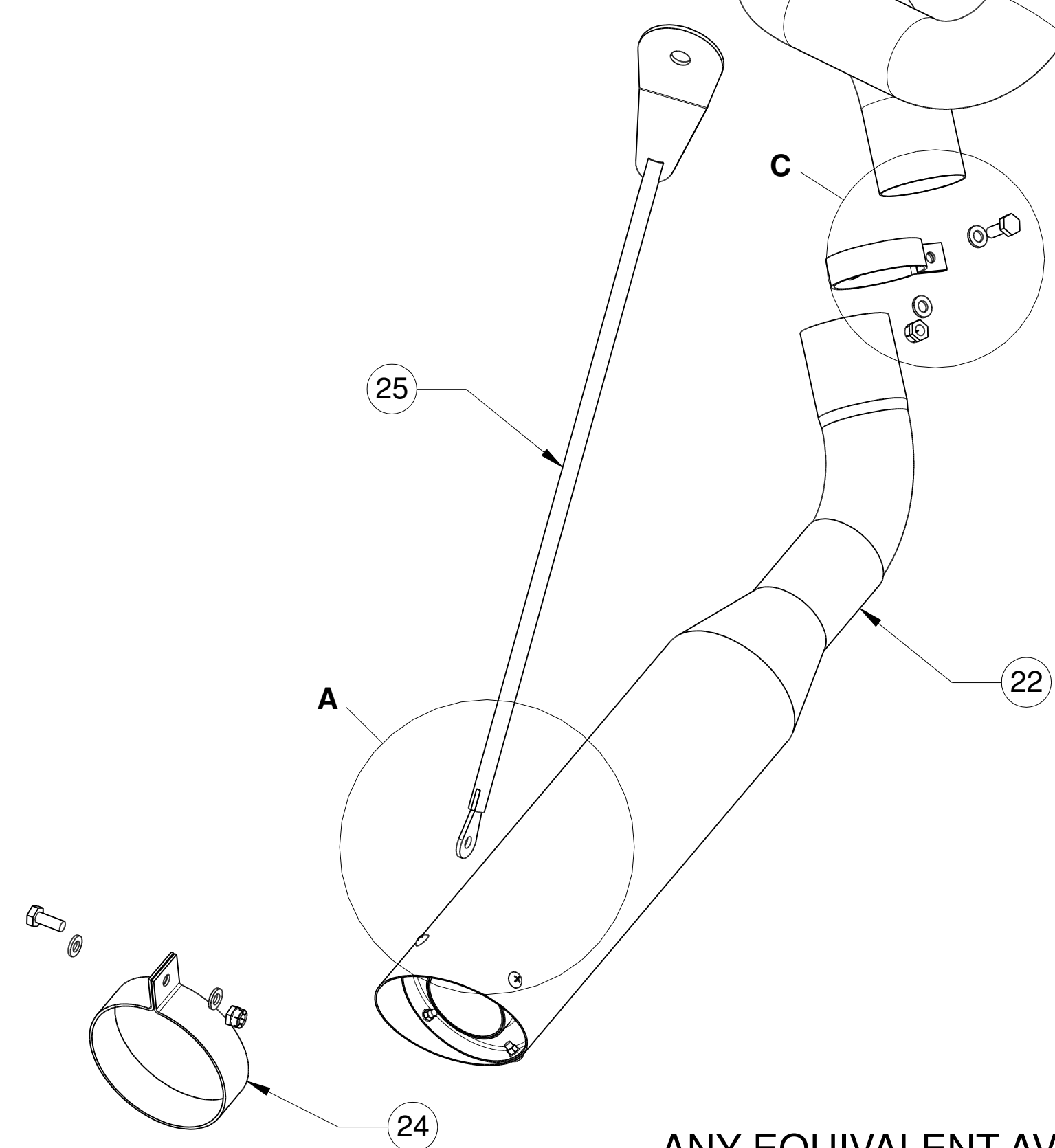
Detail C



Detail A



Detail D



ANY EQUIVALENT AVIATION GRADE HARDWARE MAY BE USED

TOLERANCES EXCEPT AS NOTED X.X --± 0.1 0 --± 2 X.XX --± 0.063 0.0 --± 1 X.XXX --± 0.010 0.00 --± 0.5	DRAWN ES	DATE 11/9/2018	POWER FLOW SYSTEMS, INC. 1585 AVIATION CENTER PKWY HANGAR 804 DAYTONA BEACH, FL 32114	
	CHECKED			
ALL INFORMATION CONTAINED IN THIS DRAWING IS PROPRIETARY TO POWER FLOW SYSTEMS, INC.	DIMENSIONS IN INCHES		DWG NO.	DWG TITLE
	THIRD ANGLE		STOCK SIZE	MATERIAL
SIZE D	SCALE		SHEET	1 OF 5

```
ERROR: undefined
OFFENDING COMMAND: seed
STACK:
0
[]
```

PFS-13803 IPC BOM

NOTE: COMMONLY ORDERED PARTS ARE BOLDED

Item	Part Number	Description	Qty Per Assy	HW Pack #	Comment
1	11800	HEADER #1	1		
2	12800-O360	HEADER #2	1		
3	13800	HEADER #3	1		
4	14800-O360	HEADER #4	1		
5	41860	SHROUDED COLLECTOR, GRUMMAN	1		
6	38000	COLLECTOR ASSEMBLY	1		INC. IN PFS-41860 OR PFS-38000
7	50850	SHROUD SUB-ASSY, GRUMMAN	1		INC. IN PFS-41860 OR PFS-50850
8	6801	SHROUD ENDPLATE	1		INC. IN PFS-41860 OR PFS-50850
9	8Rx3/8THBS/S	SHROUD SCREW	18		INC. IN PFS-41860, PFS-38000 OR PFS-50850
10	D1274-8-1	TINNERMAN CLIP	18		INC. IN PFS-41860, PFS-38000 OR PFS-50850
11	510	2 IN. MALE BALL JOINT FLANGE	1		SHORT STACK ONLY
12	6020	BAFFLE STANDOFF CLAMP	2		
13	7020	CLAMP, 2IN, PINNED, POLISHED	1		CLASSIC ONLY
14	7022	CLAMP, 2IN, PINNED, WIDE	1		
15	78100	INTERMEDIATE TUBE	1		CLASSIC ONLY
16	78104	INTERMEDIATE TUBE, INTERNAL GRUMMAN	1		SHORT STACK ONLY
17	80061-CER	MUFFLER, INTERNAL GRUMMAN, CERAMIC	1		SHORT STACK ONLY
17	80061	MUFFLER, INTERNAL GRUMMAN, POLISHED	1		SHORT STACK ONLY
18	8061	TAILPIPE, INTERNAL GRUMMAN, POLISHED	1		INC. IN 80061
19	8016	WRAPPED MUFFLER INSERT	1		INC. IN 80061 OR PFS-8016
20	AN526C832R6	SCREW, #8 x 3/8, CRES	4		INC. IN 80061 OR PFS-8016
21	MS21042L08	NUT, LOCKING, #8	4		INC. IN 80061 OR PFS-8016
22	80080-CER	STUFFED MUFFLER, GRUMMAN, CERAMIC	1		CLASSIC ONLY
22	80080	STUFFED MUFFLER ASSEMBLY, GRUMMAN	1		CLASSIC ONLY
23	8080	MUFFLER BODY, GRUMMAN, POLISHED	1		INC. IN 80080
18	8016	WRAPPED MUFFLER INSERT	1		INC. IN 80080 OR PFS-8016
20	AN526C832R6	SCREW, #8 x 3/8, CRES	4		INC. IN 80080 OR PFS-8016
21	MS21042L08	NUT, LOCKING, #8	4		INC. IN 80080 OR PFS-8016
24	8030	CLAMP, MUFFLER, POLISHED	1		
25	90860	SUPPORT ROD	1		CLASSIC
26	90861	SUPPORT ROD, SHORT	1		SHORT STACK
	10320	HW PACK, HEADERS AND CLAMPS	1		
27	77611	LYCOMING EXHAUST GASKET	4	10320	
28	94819A046	ASTM F594 S/S HEX NUT 5/16-18	8	10320	
29	AN4C5A	BOLT, 1/4IN, UNDRILLED, CRES	2	10320	
30	AN960-516	WASHER, PLAIN, 5/16	8	10320	
31	AB960C416	WASHER, PLAIN, 1/4, CRES	4	10320	
32	MS21045C4	NUT, LOCKING, 1/4, CRES	2	10320	
33	MS35333-41	WASHER LOCKING, 5/16	8	10320	
	10323	HW PACK, GRUMMAN ADEL	1		SHORT STACK ONLY
34	201	STRAP, ALUMINUM	1	10323	

PFS-13803 IPC BOM

35		AB960C10	WASHER, PLAIN, 3/16, CRES	4	10323	
36		MS21045C3	NUT, LOCKING, 3/16, CRES	2	10323	
37		MS21919WH12	CLAMP, ADEL, #12	1	10323	
38		MS21919WH6	CLAMP, ADEL, 3/8	1	10323	
39		MS51958-63	SCREW, PANHEAD, #10x1/2"	2	10323	
		10360	HW PACK, BALLJOINT	1		SHORT STACK ONLY
40		33703	BALL JOINT SPRING	3	10360	
41		AN310C3	NUT, CASTLE, 3/16, CRES	3	10360	
42		AN3C12	BOLT, 10-32, CRES	3	10360	
35		AN960C10	WASHER, PLAIN, 3/16, CRES	6	10360	
43		MS24665-153	COTTER PIN	3	10360	
		10382	HW PACK	2		
44		AN310C4	NUT, CASTLE, 1/4, CRES	1	10382	
45		AN3C4A	BOLT, 3/16, UNDRILLED, CRES	2	10382	
	29	AN4C5A	BOLT, 1/4x3/16, CRES	1	10382	
	35	AN960C10	WASHER, PLAIN, 3/16, CRES	4	10382	
	31	AB960C416	WASHER, PLAIN, 1/4, CRES	2	10382	
	36	MS21045C3	NUT, LOCKING, 3/16, CRES	2	10382	
	43	MS24665-153	COTTER PIN	1	10382	