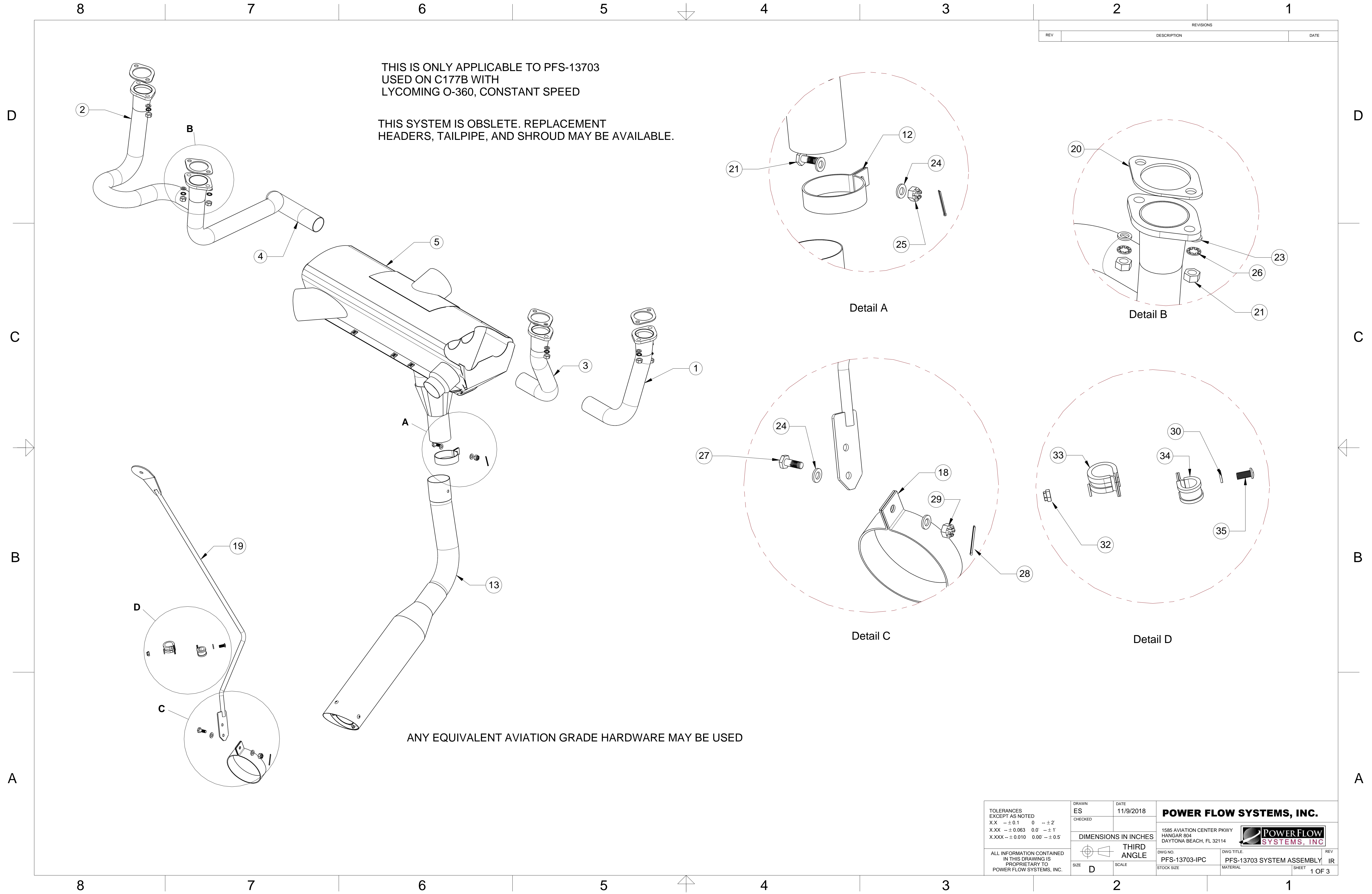


REV		DESCRIPTION	DATE

THIS IS ONLY APPLICABLE TO PFS-13703
USED ON C177B WITH
LYCOMING O-360, CONSTANT SPEED

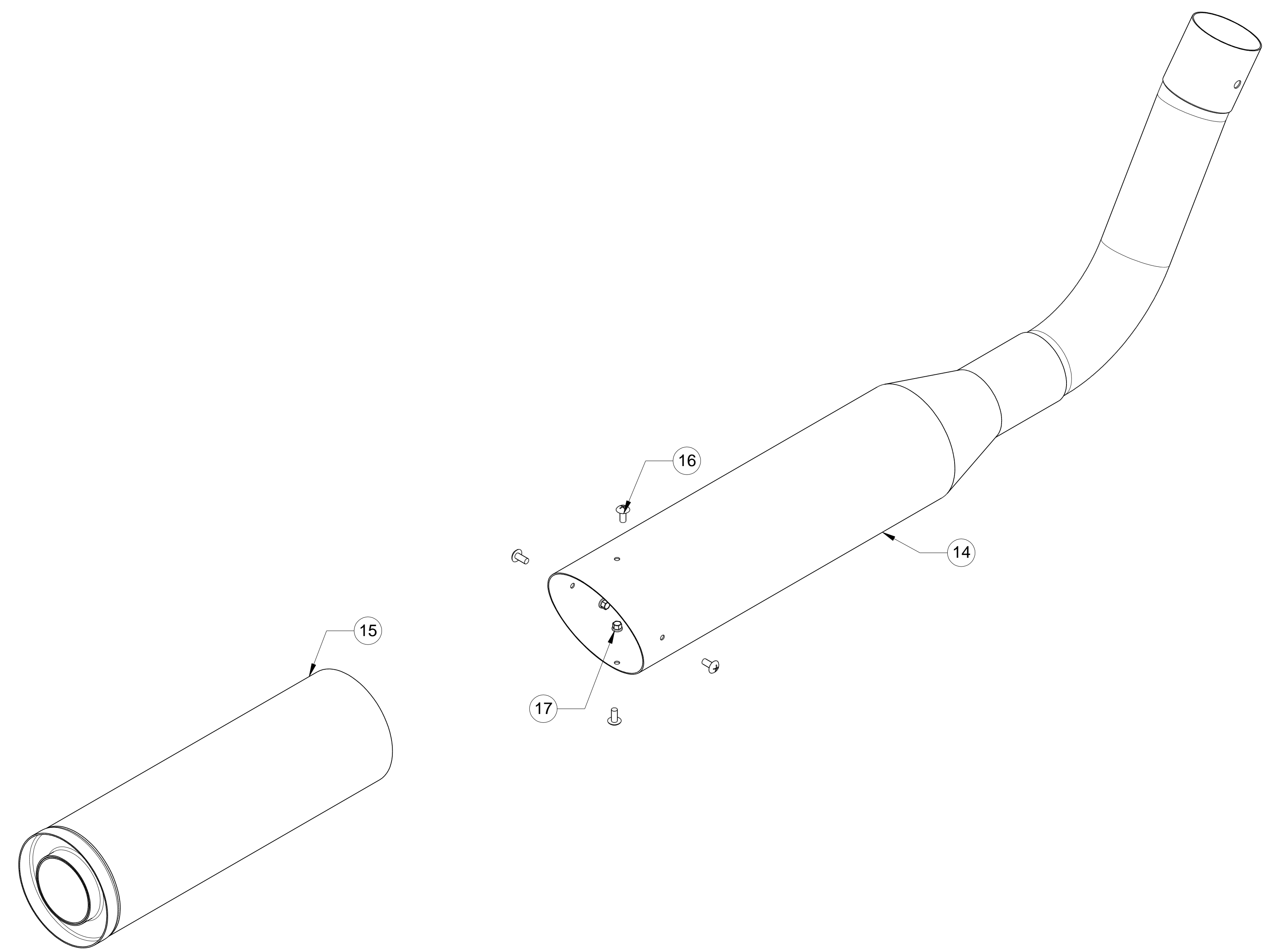
THIS SYSTEM IS OBSLETE. REPLACEMENT
HEADERS, TAILPIPE, AND SHROUD MAY BE AVAILABLE.



ANY EQUIVALENT AVIATION GRADE HARDWARE MAY BE USED

TOLERANCES EXCEPT AS NOTED XX ±0.1 0 ±2 XXX ±0.063 0.0 ±1 XXXX ±0.010 0.00 ±0.5	DRAWN ES	DATE 11/9/2018	POWER FLOW SYSTEMS, INC. 1585 AVIATION CENTER PKWY HANGAR 804 DAYTONA BEACH, FL 32114
	CHECKED		
ALL INFORMATION CONTAINED IN THIS DRAWING IS PROPRIETARY TO POWER FLOW SYSTEMS, INC.	DIMENSIONS IN INCHES THIRD ANGLE		DWG NO. PFS-13703-IPC
	SIZE D	SCALE	DWG TITLE PFS-13703 SYSTEM ASSEMBLY
			SHEET 1 OF 3

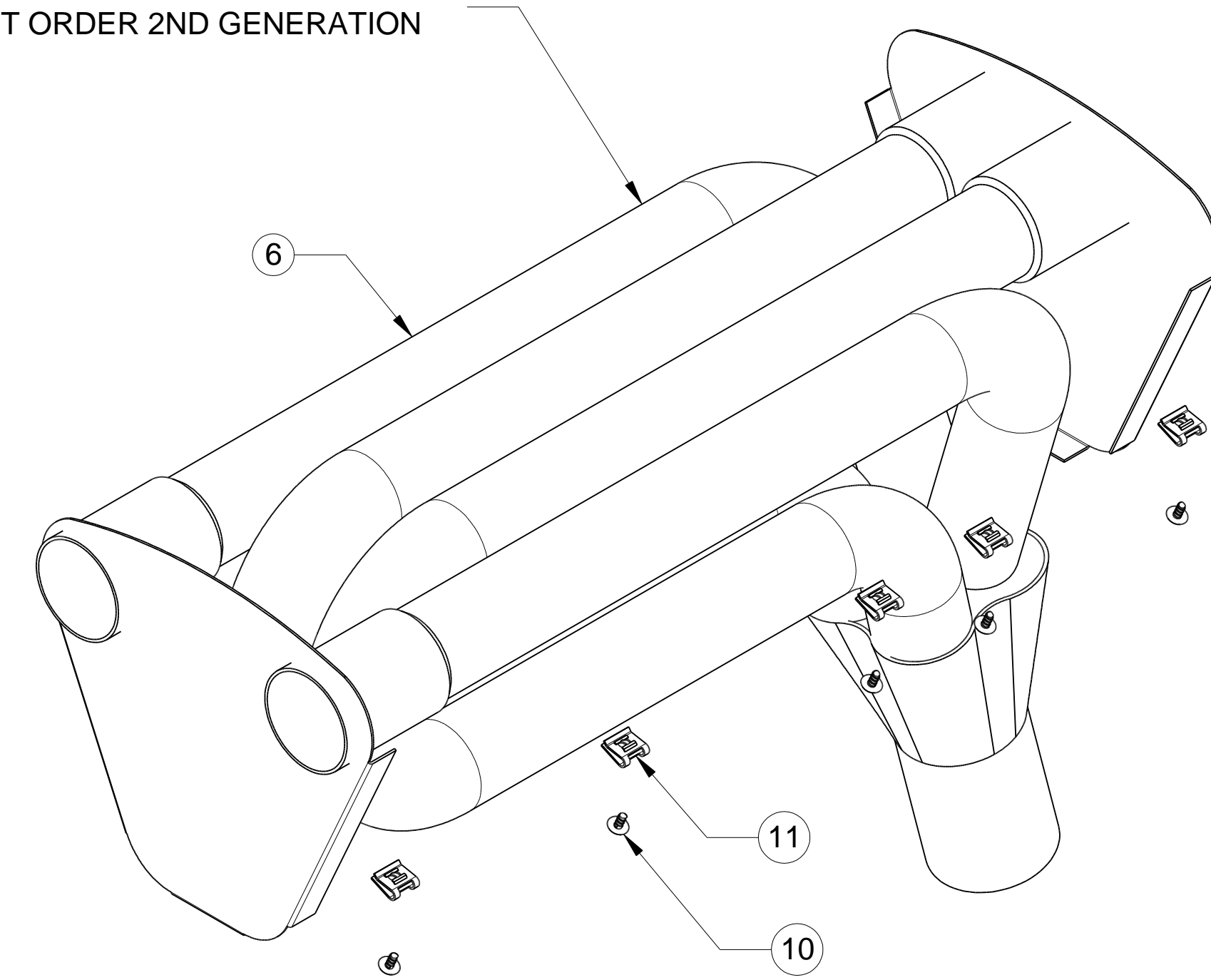
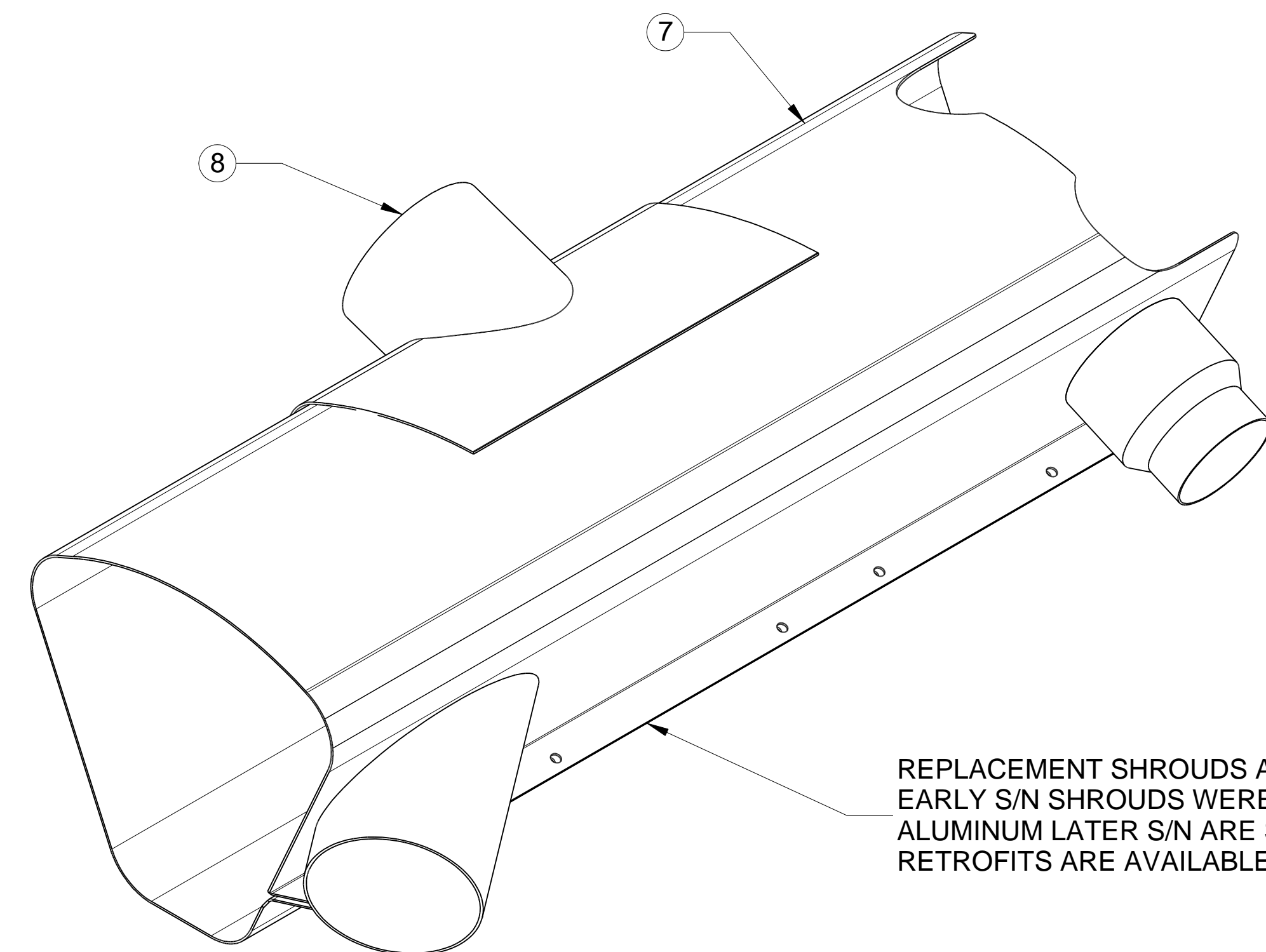
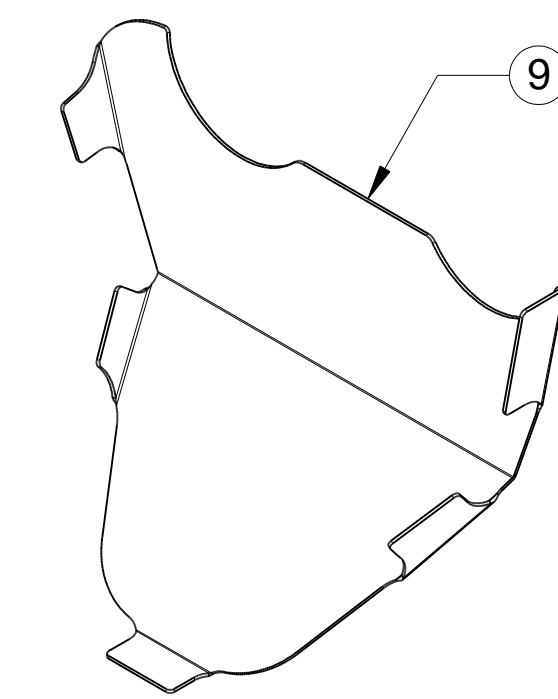
REVISIONS		
REV	DESCRIPTION	DATE



ANY EQUIVALENT AVIATION GRADE HARDWARE MAY BE USED

TOLERANCES EXCEPT AS NOTED XX ±0.1 0 ±2 XXX ±0.063 0.0 ±1 XXXX ±0.010 0.00 ±0.5	DRAWN ES	DATE 11/9/2018	POWER FLOW SYSTEMS, INC. 1585 AVIATION CENTER PKWY HANGAR 804 DAYTONA BEACH, FL 32114
	CHECKED	DIMENSIONS IN INCHES THIRD ANGLE	
ALL INFORMATION CONTAINED IN THIS DRAWING IS PROPRIETARY TO POWER FLOW SYSTEMS, INC.	SIZE D	SCALE	DWG TITLE PFS-13703 TAILPIPE
			STOCK SIZE MATERIAL SHEET 2 OF 3

REVISIONS		
REV	DESCRIPTION	DATE



THE COLLECTOR IS NO LONGER IN PRODUCTION
FOR REPLACEMENT ORDER 2ND GENERATION
UPGRADE

REPLACEMENT SHROUDS ARE AVAILABLE
EARLY S/N SHROUDS WERE MADE OF
ALUMINUM LATER S/N ARE STAINLESS
RETROFITS ARE AVAILABLE.

ANY EQUIVALENT AVIATION GRADE HARDWARE MAY BE USED

TOLERANCES EXCEPT AS NOTED XX ±0.1 0 ±2 XXX ±0.063 0.0 ±1 X.XXX ±0.010 0.00 ±0.5	DRAWN ES	DATE 11/9/2018	POWER FLOW SYSTEMS, INC. 1585 AVIATION CENTER PKWY HANGAR 804 DAYTONA BEACH, FL 32114
	CHECKED		
ALL INFORMATION CONTAINED IN THIS DRAWING IS PROPRIETARY TO POWER FLOW SYSTEMS, INC.	DIMENSIONS IN INCHES THIRD ANGLE		DWG NO. PFS-13703-IPC
	SIZE D	SCALE	DWG TITLE PFS-13703 COLLECTOR
			MATERIAL IR
			SHEET 3 OF 3

PFS-13703 IPC BOM

NOTE: COMMONLY ORDERED PARTS ARE BOLDED

Item	Part Number	Description	Qty Per Assy	HW Pack #	Comment
1	11100	HEADER #1	1		
2	12160	HEADER #2	1		
3	13100	HEADER #3	1		
4	14160	HEADER #4	1		
5	41770S	SHROUDED COLLECTOR, C177	1		COLLECTOR NO LONGER AVAILABLE, NOW 2ND GEN UPGRADE
6	30001	COLLECTOR ASSEMBLY, ANNEALED	1		COLLECTOR NO LONGER AVAILABLE, NOW 2ND GEN UPGRADE
7	51770S	SHROUD SUB-ASSEMBLY, C177	1		INC. IN PFS-51770S , EARLY SERIAL NUMBER ALUMINUM SHROUD NO LONGER AVAILABLE
8	4177S	SLIDER, STAINLESS	1		INC. IN PFS-51770S
9	6001S	SHROUD ENDPLATE, SS	1		INC. IN PFS-51770S
10	8R \times 3/8THBSS	SHROUD SCREW	19		INC. IN PFS-51770S
11	D1274-8-1	TINNERMAN CLIP	19		INC. IN PFS-51770S
12	7020	CLAMP, 2IN, PINNED, POLISHED	1		
13	80177-CER	COATED	1		OPTIONAL, CERAMIC FINISH
13	80177	STUFFED MUFFLER	1		POLISHED FINISH
14	8020	MUFFLER BODY	1		INC. IN 80177
15	8016	WRAPPED MUFFLER INSERT	1		INC. IN 80177 OR PFS-8016
16	AN526C832R6	SCREW, #8 X 3/8, CRES	4		INC. IN 80177 OR PFS-8016
17	MS21042L08	NUT, LOCKING, #8	4		INC. IN 80177 OR PFS-8016
18	8030	CLAMP, MUFFLER, POLISHED	1		
19	90077	SUPPORT ROD, C177B	1		
	10320	HW PACK, HEADERS AND CLAMPS	1		
20	77611	LYCOMING EXHAUST GASKET	4	10320	
21	94819A045	ASTM F594 S/S HEX NUT 5/16-18	8	10320	
22	AN4C5A	BOLT, 1/4IN, UNDRILLED, CRES	2	10320	REPLACES DRILLED BOLT (ITEM 27)
23	AN960-516	WASHER, PLAIN, 5/16	8	10320	
24	AN960C416	WASHER, PLAIN, 1/4, CRES	4	10320	
25	MS21045C4	NUT, LOCKING, 1/4, CRES	2	10320	REPLACES CASTLE NUT (ITEM 28) AND COTTER PIN (ITEM 29)
26	MS35333-41	WASHER LOCKING, 5/16	8	10320	
27	AN4C5	BOLT, 1/4IN, DRILLED, CRES	2		SUPERSEDED BY UNDRILLED BOLT (ITEM 22), SEE 10362
28	MS24665-153	COTTER PIN	2		SUPERSEDED BY LOCKING NUT (ITEM 25), SEE 10362
29	AN310C4	NUT, CASTLE, 1/4, CRES	2		SUPERSEDED BY LOCKING NUT (ITEM 25), SEE 10362
	10322	HW PACK, ADEL CLAMP	1		

PFS-13703 IPC BOM

30		AN960C10	WASHER, PLAIN, 3/16, CRES	2	10322	
31		CCP-32	RIVET, BLIND STAINLESS, 3/32", 0.04"	6	10322	
32		MS21044C3	NUT, NYLOCK, 3/16, CRES	11	10322	
33		MS21919WH12	CLAMP, ADEL, #12	1	10322	
34		MS21919WH6	CLAMP, ADEL, 3/8	1	10322	
35		MS51958-63	SCREW, PANHEAD, #10x1/2"	1	10322	
	10362					REPLACEMENT PACK FOR ITEMS 22, 24 AND 25
	22	AN4C5A	BOLT, 1/4IN, UNDRILLED, CRES	1	10362	
	24	AN960C416	WASHER, PLAIN, 1/4, CRES	2	10362	
	25	MS21045C4	NUT, LOCKING, 1/4, CRES	1	10362	