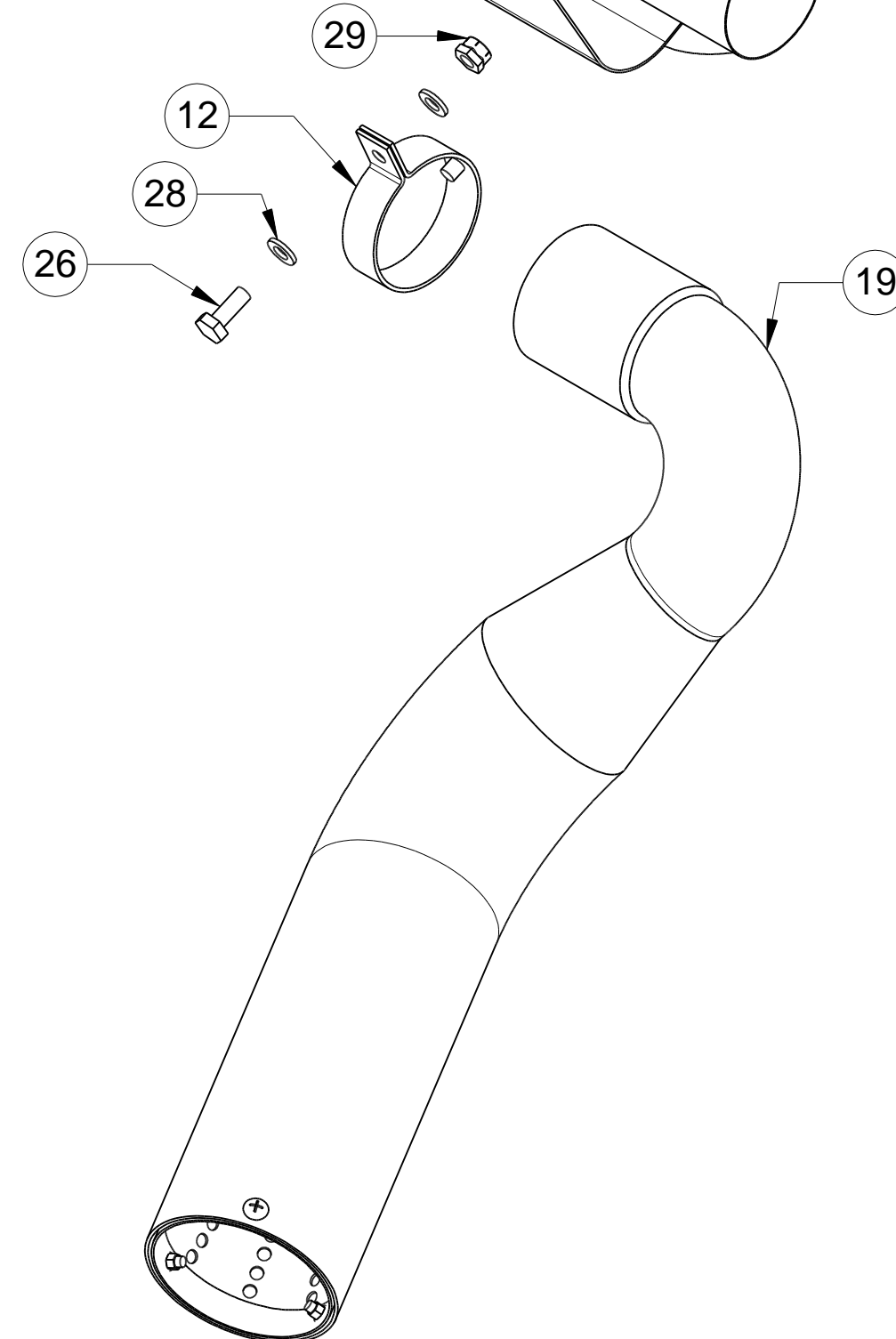
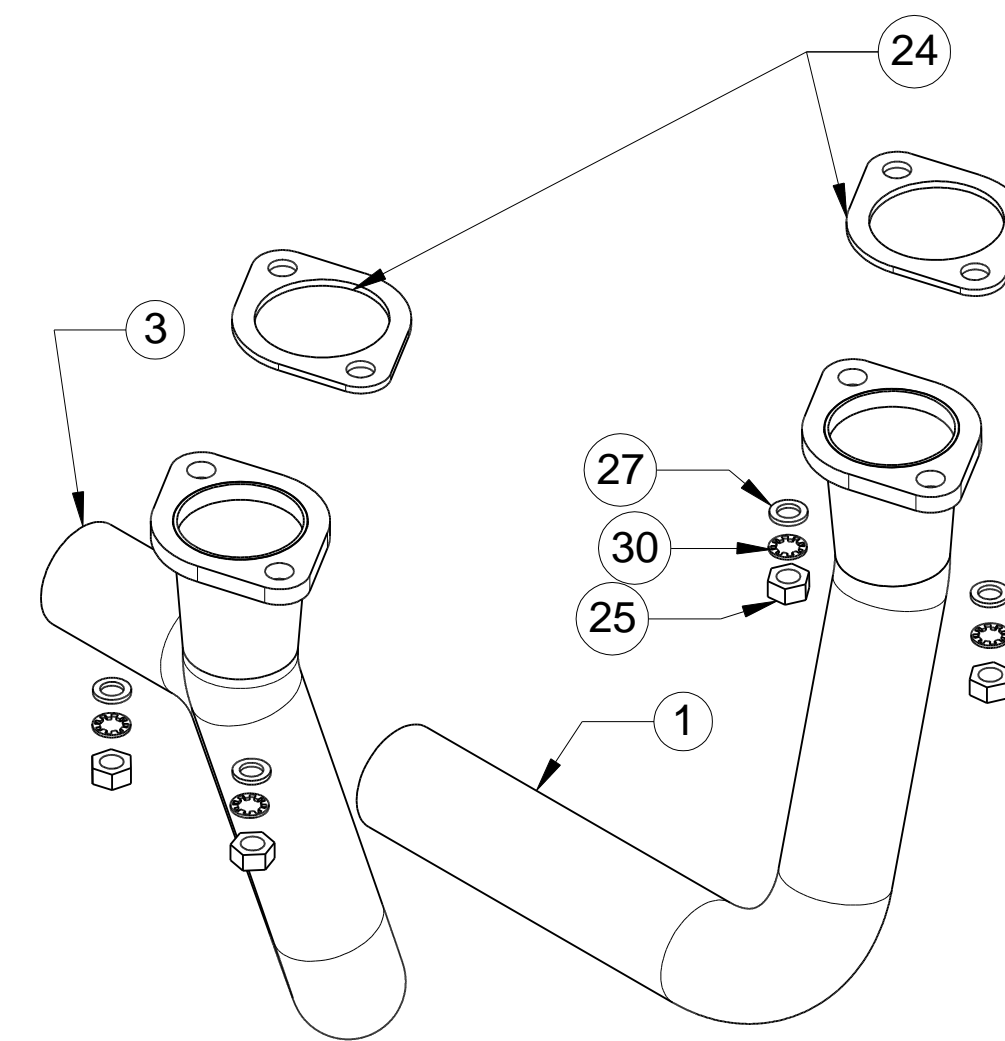
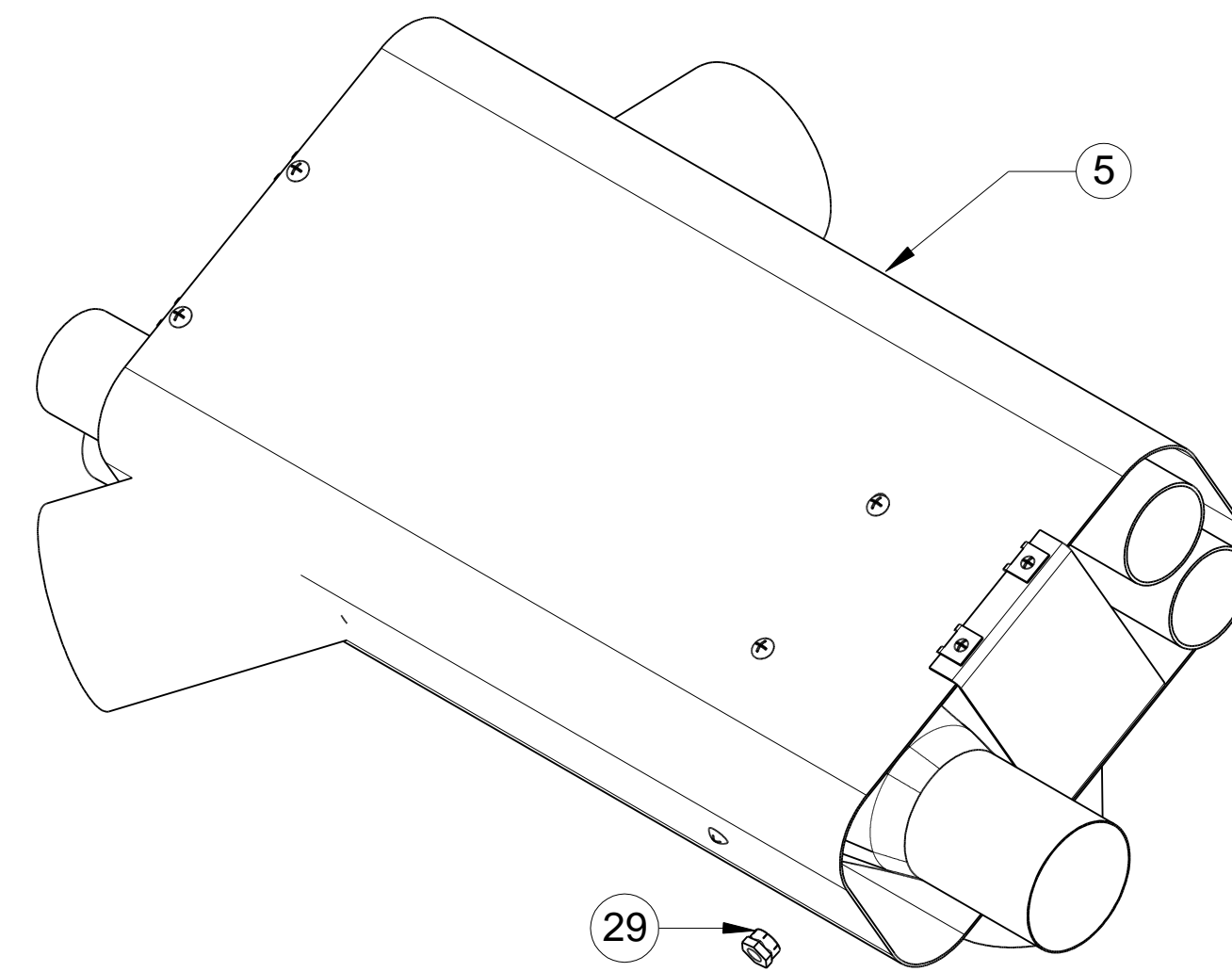
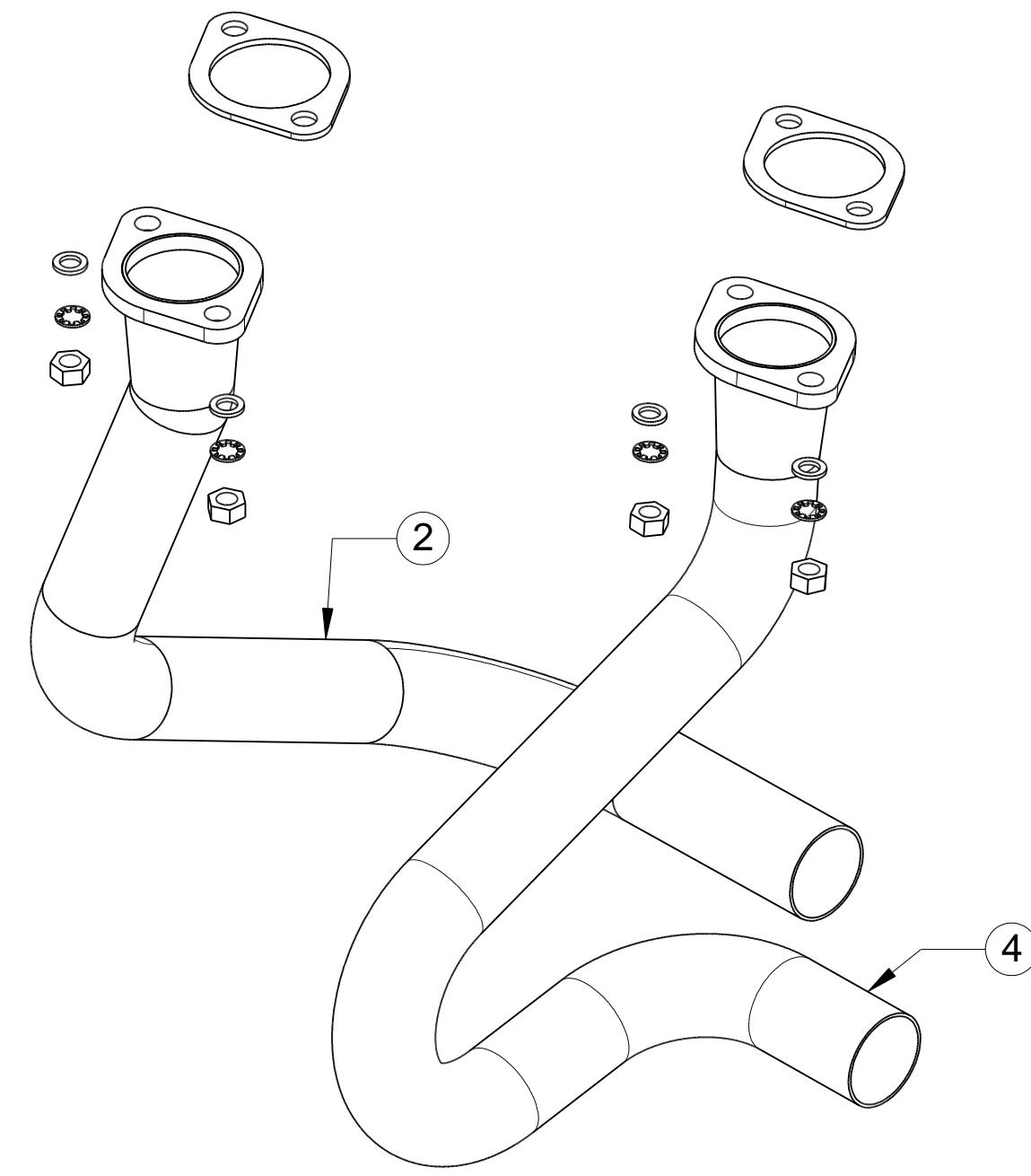



REV		DESCRIPTION	DATE

**THIS IS ONLY APPLICABLE FOR PFS-13204**

**THIS IS ONLY APPLICABLE FOR SHORT STACK CONFIGURATION**

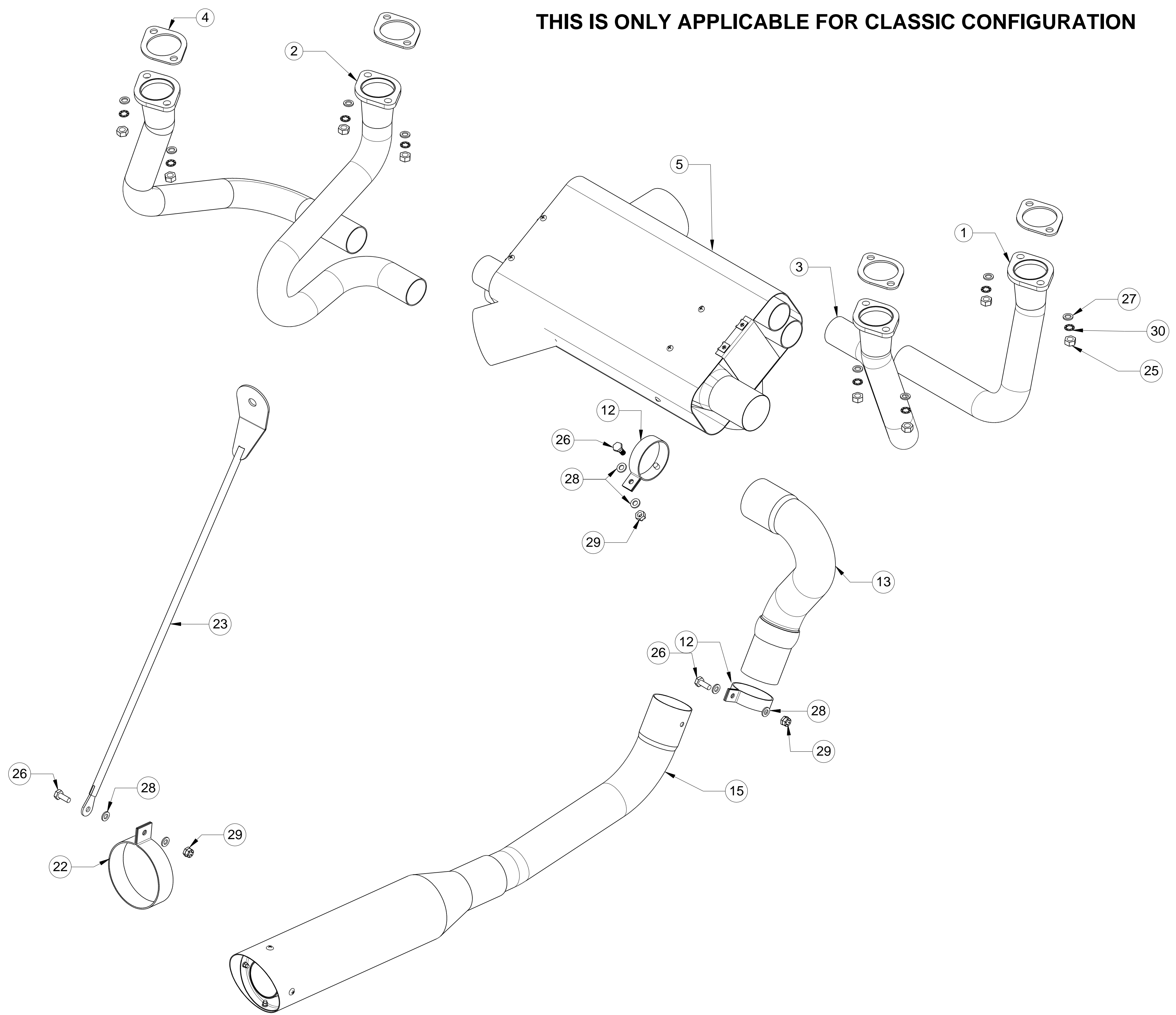


**ANY EQUIVALENT AVIATION GRADE HARDWARE MAY BE USED**

TOLERANCES EXCEPT AS NOTED XX ±0.1 0 ±2 XXX ±0.063 0.0 ±1 XXXX ±0.010 0.00 ±0.5	DRAWN ES	DATE 11/9/2018	<b>POWER FLOW SYSTEMS, INC.</b> 1585 AVIATION CENTER PKWY HANGAR 804 DAYTONA BEACH, FL 32114 
	CHECKED		
ALL INFORMATION CONTAINED IN THIS DRAWING IS PROPRIETARY TO POWER FLOW SYSTEMS, INC.	DIMENSIONS IN INCHES THIRD ANGLE		DWG NO. PFS-13204-IPC
	SIZE D	SCALE	DWG TITLE SHORT STACK
			SHEET 1 OF 4

REVISIONS		
REV	DESCRIPTION	DATE

**THIS IS ONLY APPLICABLE FOR CLASSIC CONFIGURATION**

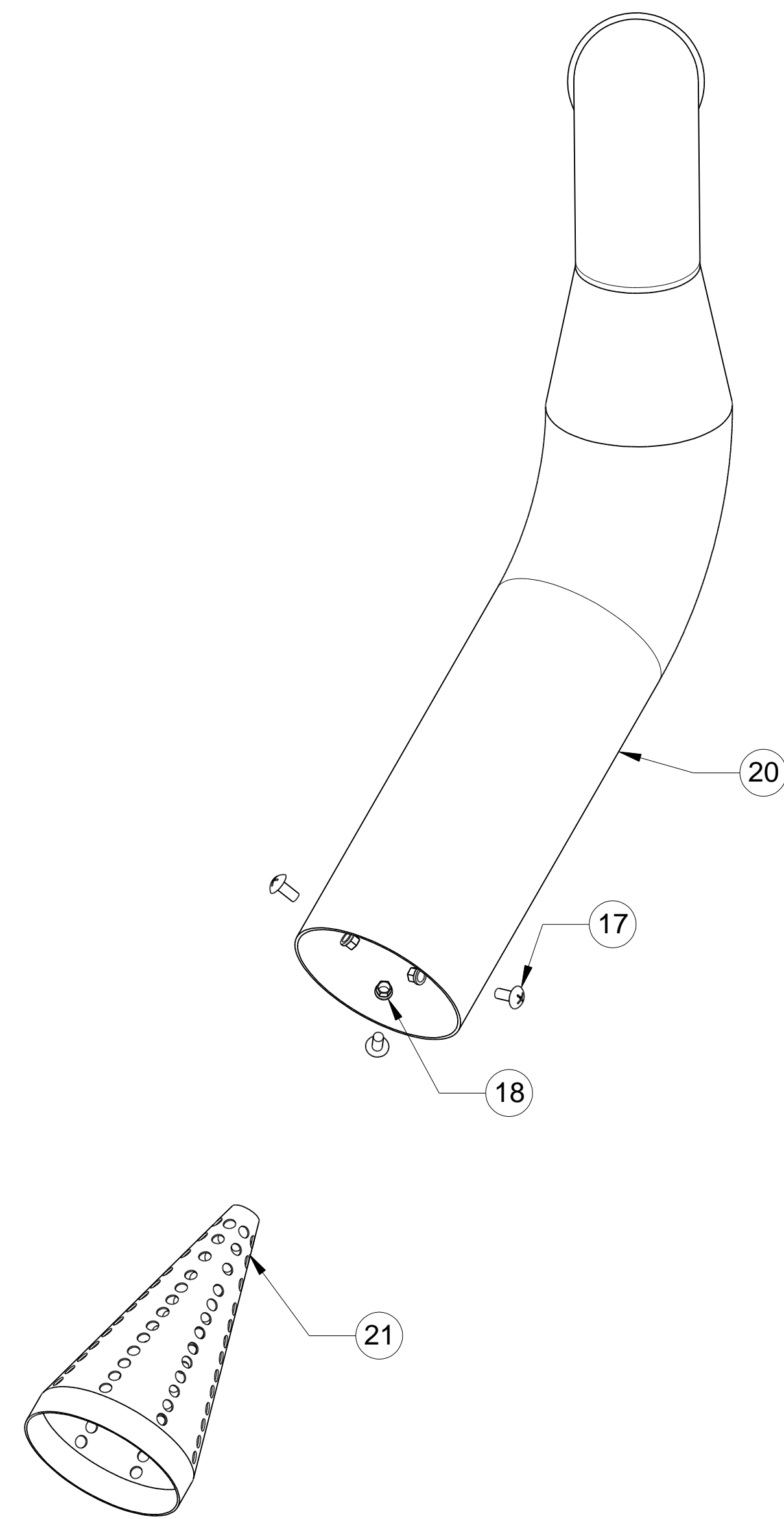


**ANY EQUIVALENT AVIATION GRADE HARDWARE MAY BE USED**

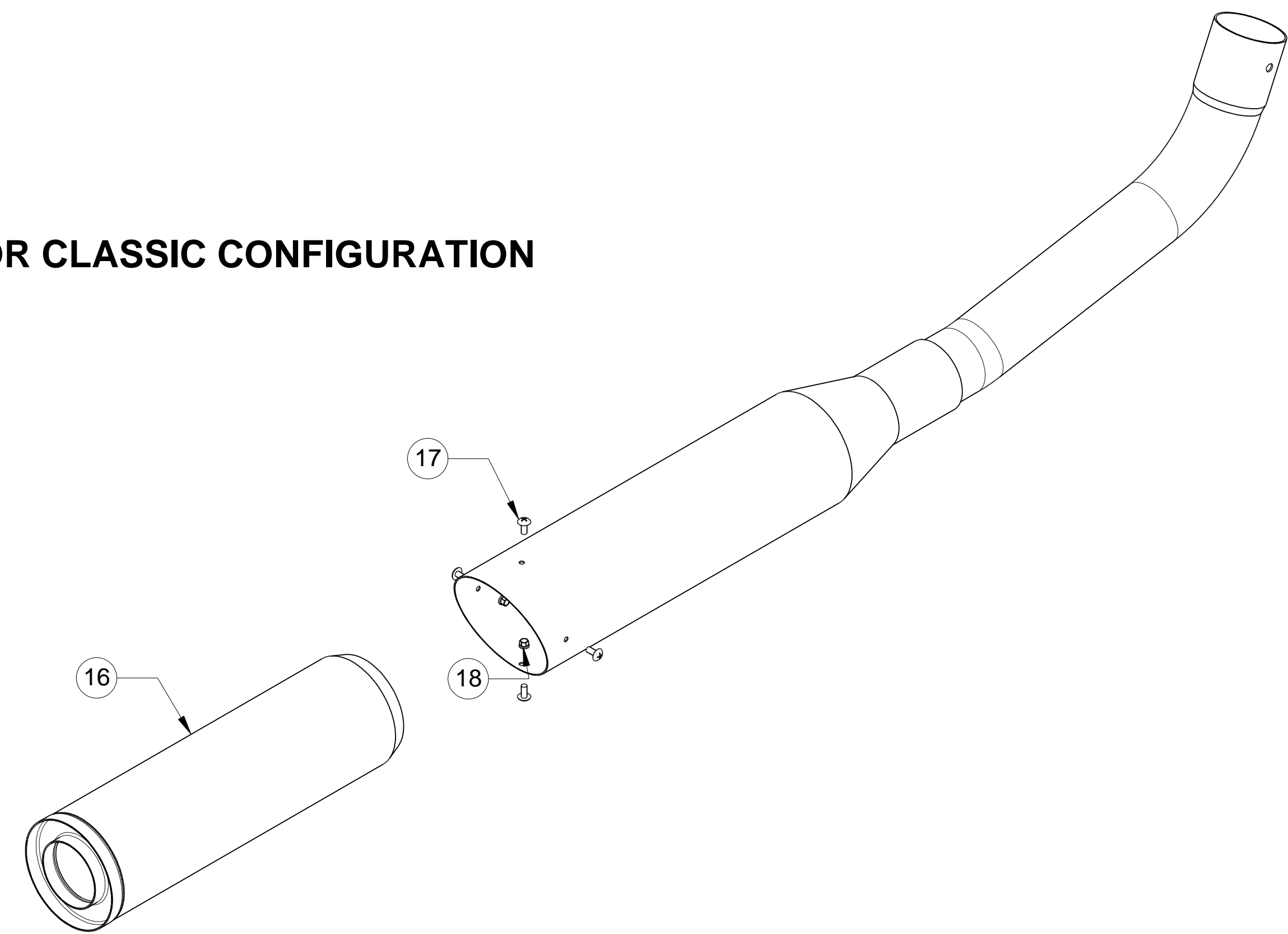
TOLERANCES EXCEPT AS NOTED XX ±0.1 0 ±2 XXX ±0.063 0.0 ±1 XXXX ±0.010 0.00 ±0.5	DRAWN <b>ES</b>	DATE 11/9/2018	<b>POWER FLOW SYSTEMS, INC.</b> 1585 AVIATION CENTER PKWY HANGAR 804 DAYTONA BEACH, FL 32114 
	CHECKED	DIMENSIONS IN INCHES THIRD ANGLE	
ALL INFORMATION CONTAINED IN THIS DRAWING IS PROPRIETARY TO POWER FLOW SYSTEMS, INC.	SIZE D	SCALE	DWG TITLE CLASSIC
			REV IR
			SHEET 2 OF 4

REVISIONS		
REV	DESCRIPTION	DATE


**FOR SHORT STACK CONFIGURATION**



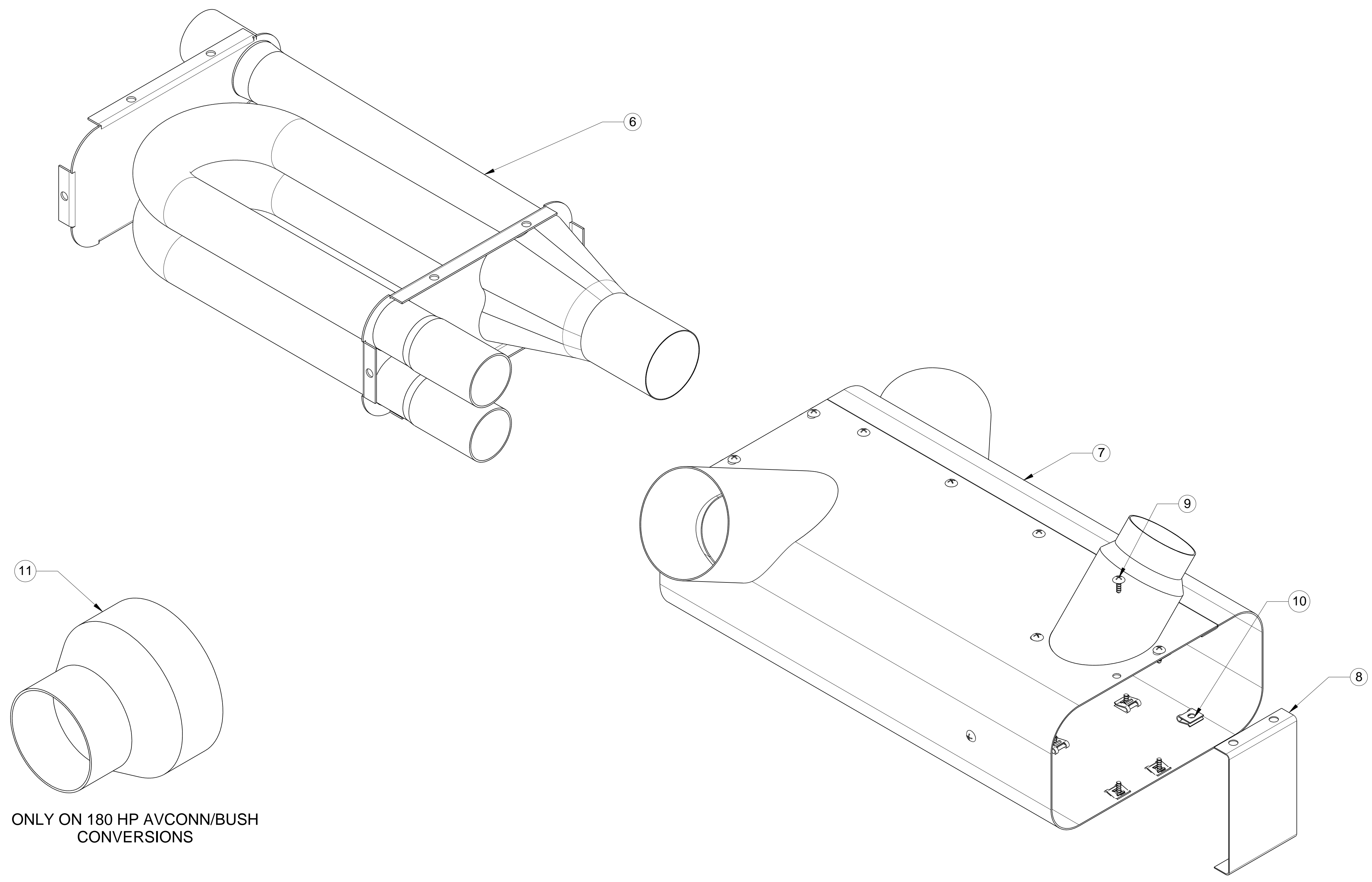
**FOR CLASSIC CONFIGURATION**



BOTH TAILPIPE ARE AVAILABLE IN POLISHED AND CERAMIC FINISH  
ANY EQUIVALENT AVIATION GRADE HARDWARE MAY BE USED

TOLERANCES EXCEPT AS NOTED XX ±0.1 0 ±2 XXX ±0.063 0.0 ±1 XXXX ±0.010 0.00 ±0.5	DRAWN ES	DATE 11/9/2018	<b>POWER FLOW SYSTEMS, INC.</b> 1585 AVIATION CENTER PKWY HANGAR 804 DAYTONA BEACH, FL 32114 
	CHECKED		
ALL INFORMATION CONTAINED IN THIS DRAWING IS PROPRIETARY TO POWER FLOW SYSTEMS, INC.	DIMENSIONS IN INCHES THIRD ANGLE		DWG TITLE TAILPIPES
	SIZE D	SCALE	MATERIAL STOCK SIZE
			REV IR
			SHEET 3 OF 4

REVISIONS		
REV	DESCRIPTION	DATE



ONLY ON 180 HP AVCONN/BUSH CONVERSIONS

ANY EQUIVALENT AVIATION GRADE HARDWARE MAY BE USED

TOLERANCES EXCEPT AS NOTED XX ±0.1 0 ±2 XXX ±0.063 0.0 ±1 XXXX ±0.010 0.00 ±0.5	DRAWN <b>ES</b>	DATE 11/9/2018	<b>POWER FLOW SYSTEMS, INC.</b> 1585 AVIATION CENTER PKWY HANGAR 804 DAYTONA BEACH, FL 32114 
	CHECKED	DIMENSIONS IN INCHES THIRD ANGLE	
ALL INFORMATION CONTAINED IN THIS DRAWING IS PROPRIETARY TO POWER FLOW SYSTEMS, INC.	SIZE D	SCALE	DWG TITLE COLLECTOR ASSEMBLY MATERIAL SHEET 4 OF 4

# PFS-13204 IPC BOM

**NOTE: COMMONLY ORDERED PARTS ARE BOLDED**

Item	Part Number	Description	Qty Per Assy	HW Pack #	Comment
1	11600	HEADER #1	1		
2	12600	HEADER #2	1		FOR O-360 ENGINES
2	12600-1	HEADER #2	1		FOR O-320 ENGINES
3	13600	HEADER #3	1		
4	14600	HEADER #4	1		FOR O-360 ENGINES
4	14600-1	HEADER #4	1		FOR O-320 ENGINES
5	41722	SHROUDED COLLECTOR ASSY	1		ORDER PFS-41722
<b>6</b>	<b>38000</b>	<b>COLLECTOR ASSEMBLY, ANNEALED</b>	<b>1</b>		INC. IN PFS-41722 OR <b>PFS-38000</b>
7	51722	SHROUD SUB-ASSEMBLY	1		INC. IN PFS-41722 OR PFS-51722
8	6801	SHROUD ENDPLATE	1		INC. IN PFS-41722 OR PFS-51722
9	8Rx3/8THBSS	SHROUD SCREW	19		INC. IN PFS-41722, PFS-51722, OR PFS-38000
10	D1274-8-1	TINNERMAN CLIP	19		INC. IN PFS-41722, PFS-51722, OR PFS-38000
11	6583	REDUCER 3IN TO 2IN	1		180 HP AVCONN/BUSH CONVERSIONS ONLY
<b>12</b>	<b>7020</b>	<b>CLAMP, 2IN, PINNED, POLISHED</b>	<b>2</b>		ONLY 1 REQUIRED FOR SHORTSTACK
13	78102	INTERMEDIATE TUBE	1		CLASSIC ONLY
14	80010-CER	STUFFED MUFFLER, CERAMIC COATED - "CLASSIC"	1		OPTIONAL, CERAMIC FINISH
14	80010	STUFFED MUFFLER - "CLASSIC"	1		POLISHED FINISH
15	8010	MUFFLER BODY	1		INC. IN 80010
<b>16</b>	<b>8016</b>	<b>WRAPPED MUFFLER INSERT</b>	<b>1</b>		INC. IN 80010 OR <b>PFS-8016</b>
17	AN526C832R6	SCREW, #8 X 3/8, CRES	4		INC. IN 80010 OR PFS-8016
18	MS21042L08	NUT, LOCKING, #8	4		INC. IN 80010 OR PFS-8016
19	80011-CER	TAILPIPE, INTERNAL, CERAMIC - "SHORT STACK"	1		OPTIONAL, CERAMIC FINISH
19	80011	TAILPIPE, INTERNAL, CESSNA - "SHORT STACK"	1		POLISHED FINISH
20	8011	TAILPIPE, INTERNAL, POLISHED	1		INC. IN PFS-80011
<b>21</b>	<b>8310</b>	<b>SILENCER CONE</b>	<b>1</b>		INC. IN PFS-80011 OR <b>PFS-8310</b>
	17	AN526C832R6	SCREW, #8 X 3/8, CRES	4	INC. IN PFS-80011 OR PFS-8310
	18	MS21042L08	NUT, LOCKING, #8	4	INC. IN PFS-80011 OR PFS-8310
<b>22</b>	<b>8030</b>	<b>CLAMP MUFFLER, POLISHED</b>	<b>1</b>		
23	90020	SUPPORT ROD, C172	1		CLASSIC ONLY
	10320	HW PACK, HEADERS AND CLAMPS	1		
24	77611	LYCOMING EXHAUST GASKET	4	10320	
25	94819A045	ASTM F594 S/S HEX NUT 5/16-18	8	10320	
26	AN4C5A	BOLT, 1/4IN, UNDRILLED, CRES	2	10320	
27	AN960-516	WASHER, PLAIN, 5/16	8	10320	

## PFS-13204 IPC BOM

28		AB960C416	WASHER, PLAIN, 1/4, CRES	4	10320	
29		MS21045C4	NUT, LOCKING, 1/4, CRES	2	10320	
30		MS35333-41	WASHER LOCKING, 5/16	8	10320	
	10321		HW PACK, ADEL CLAMP	1		
31		AB960C10	WASHER, PLAIN, 3/16, CRES	2	10321	
32		MS21045C3	NUT, LOCKING, 3/16, CRES	1	10321	
33		MS21919WH12	CLAMP, ADEL, #12	1	10321	
34		MS21919WH6	CLAMP, ADEL, 3/8	1	10321	
35		MS51958-63	SCREW, PANHEAD, #10x1/2"	1	10321	
	10362		HW PACK, CLAMP	1		
	26	AN4C5A	BOLT, 1/4IN, UNDRILLED, CRES	1	10362	
	28	AN960C416	WASHER, PLAIN, 1/4, CRES	2	10362	
	29	MS21045C4	NUT, LOCKING, 1/4, CRES	1	10362	
36	SCAT-12		SCAT HOSE, 3.0	44 IN		